

COMMERCIAL
LIGHTING



Nowodvorski
L I G H T I N G

Commercial lighting

5-year warranty products

Nowodvorski
L I G H T I N G



CTLS MILO LED 25W
8758 BL

COMMERCIAL TRACK LIGHTS SYSTEM (CTLS) MILO LED



CTLS MILO LED 15W



CTLS MILO LED 25W

MILO LED właściwości:

- Uniwersalny adapter Global do szynoprzewodów trójobwodowych
- Dostępna w dwóch opcjach mocy: 15W i 25W
- W zestawie trzy soczewki do regulowania kąta świecenia
- Dostępna w dwóch temperaturach barwowych: 3000K i 4000K
- Możliwość regulacji o 90° w pionie oraz obrócenia o 350° w poziomie
- Współczynnik oddawania barw CRI ≥ 90
- Moduł LED SAMSUNG, zasilacz OSRAM
- Żywotność: min. 50.000 godzin
- 5 lat gwarancji

MILO LED range features:

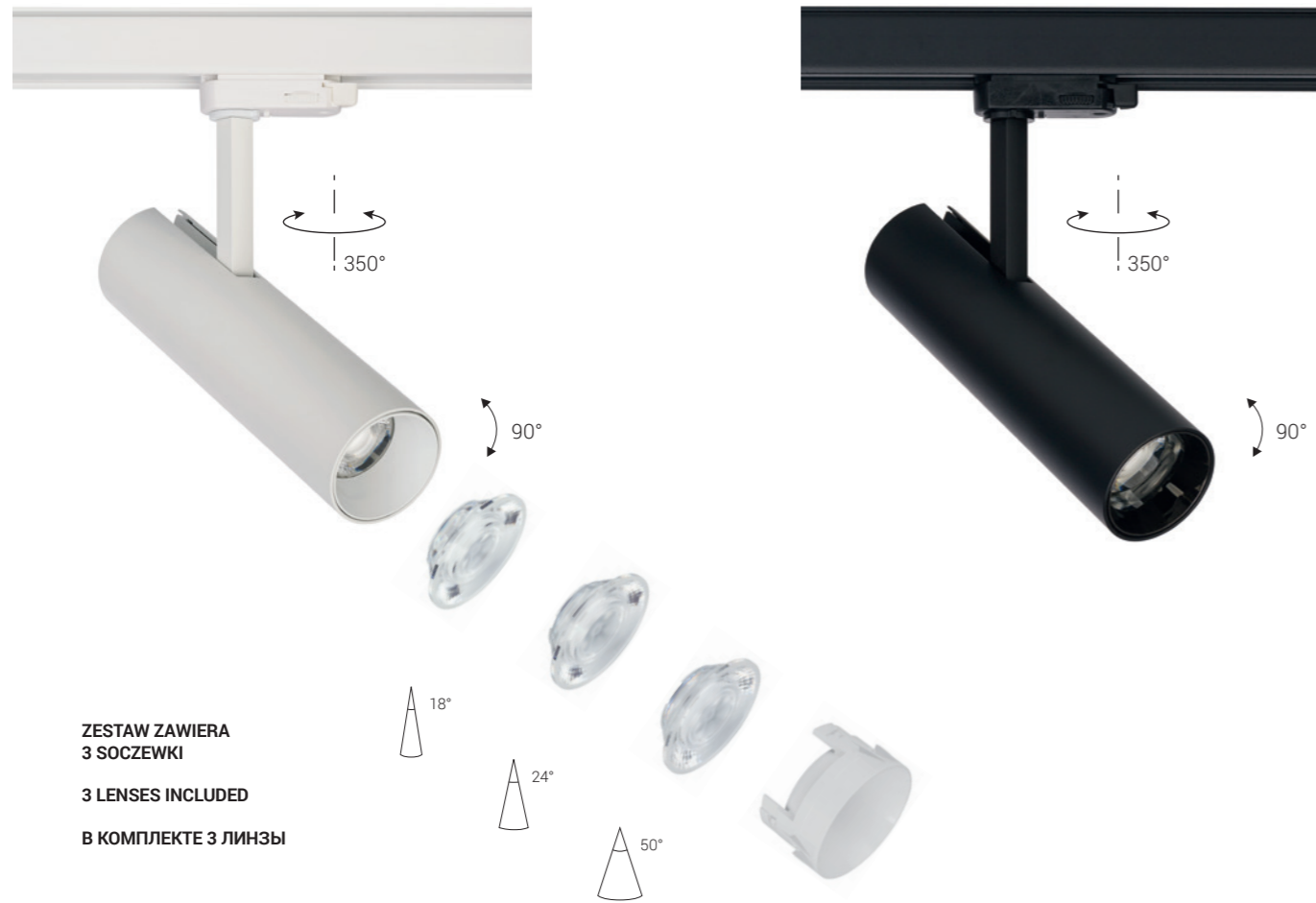
- Universal adapter by Global for 3-circuit track light system
- Available in two power options: 15W or 25W
- 3 lenses included to adjust the beam angle
- Available in two colour temperatures: 3000K and 4000K
- Tilts 90° vertically and rotates 350° horizontally
- Colour Rendering Index (CRI) ≥ 90
- SAMSUNG LED module, OSRAM driver inside
- 50000h min. lifetime
- 5-year warranty

Особенности ассортимента MILO LED:

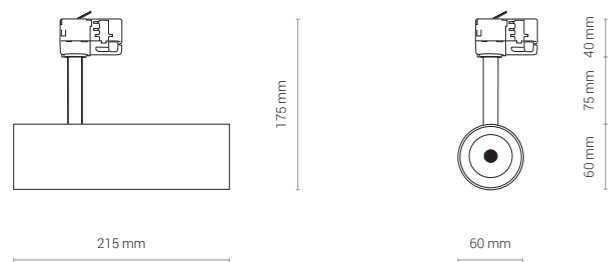
- Универсальный адаптер от Global для трехконтурной системы трекового освещения
- Доступно в двух вариантах мощности: 15W или 25W
- В комплекте 3 линзы для регулирования угла лучей
- Доступно в двух цветовых температурах: 3000K или 4000K
- Угол наклона 90° вертикально и поворот 350° по горизонтали
- Индекс цветопередачи (CRI) ≥ 90
- Модуль LED SAMSUNG, драйвер от OSRAM
- Срок эксплуатации мин. 50 000 ч
- 5-летняя гарантия



CTLS MILO LED 15W



ZESTAW ZAWIERA
3 SOCZEWKI
3 LENSES INCLUDED
В КОМПЛЕКТЕ 3 ЛИНЗЫ



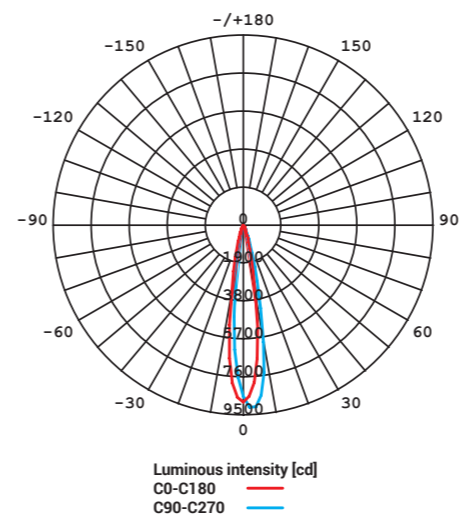
CTLS MILO LED 15W

aluminium / aluminum / алюминий

8766 ○ WH - 3000K 8764 ● BL - 3000K
8765 ○ WH - 4000K 8763 ● BL - 4000K

Item No.	POWER	COLOUR TEMP.	LUMEN	BEAM ANGLE	CRI	IP	LED BRAND	DRIVER BRAND	LIFETIME	WARRANTY
8766	15W	3000K	1350	18°, 24°, 50°	≥90	20	SAMSUNG	OSRAM	50000h	5 YEARS
8765	15W	4000K	1350	18°, 24°, 50°	≥90	20	SAMSUNG	OSRAM	50000h	5 YEARS
8764	15W	3000K	1350	18°, 24°, 50°	≥90	20	SAMSUNG	OSRAM	50000h	5 YEARS
8763	15W	4000K	1350	18°, 24°, 50°	≥90	20	SAMSUNG	OSRAM	50000h	5 YEARS

LUMINOUS INTENSITY DISTRIBUTION DIAGRAM



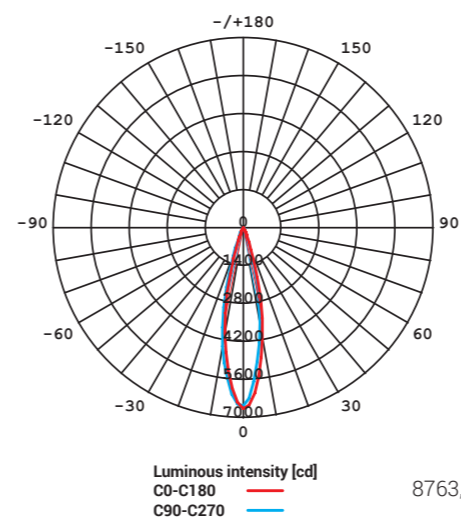
Beam cone diagram
Beam angle 18°

Distance [m]	Illuminance [lx] 3000K/4000K	Diameter [m]
1 m	9143	0,31
2 m	2286	0,62
3 m	1016	0,93
4 m	571	1,24
5 m	366	1,55
6 m	254	1,86
7 m	187	2,17

8763, 8764, 8765, 8766, 15W, 3000K, 4000K, beam angle 18°



LUMINOUS INTENSITY DISTRIBUTION DIAGRAM



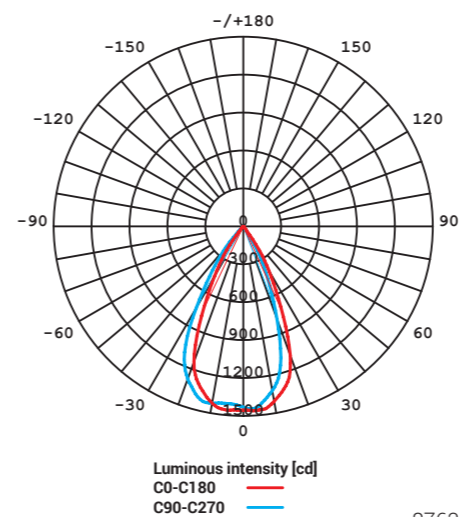
Beam cone diagram
Beam angle 24°

Distance [m]	Illuminance [lx] 3000K/4000K	Diameter [m]
1 m	6668	0,42
2 m	1667	0,84
3 m	741	1,26
4 m	417	1,69
5 m	267	2,11
6 m	185	2,53
7 m	136	2,95

8763, 8764, 8765, 8766, 15W, 3000K, 4000K, beam angle 24°



LUMINOUS INTENSITY DISTRIBUTION DIAGRAM



Beam cone diagram
Beam angle 50°

Distance [m]	Illuminance [lx] 3000K/4000K	Diameter [m]
1 m	1676	0,93
2 m	419	1,87
3 m	186	2,80
4 m	105	3,74
5 m	67	4,67
6 m	47	5,61
7 m	34	6,54

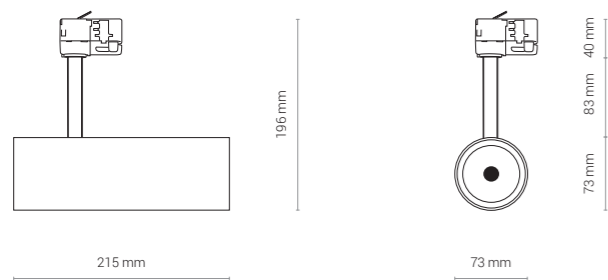
8763, 8764, 8765, 8766, 15W, 3000K, 4000K, beam angle 50°



CTLS MILO LED 25W



ZESTAW ZAWIERA
3 SOCZEWKI
3 LENSES INCLUDED
В КОМПЛЕКТЕ 3 ЛИНЗЫ

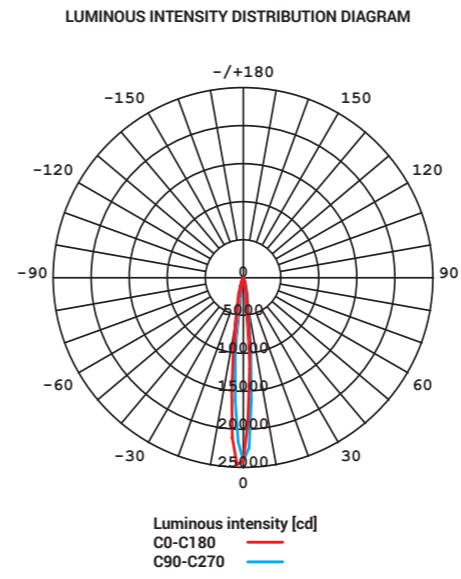


CTLS MILO LED 25W

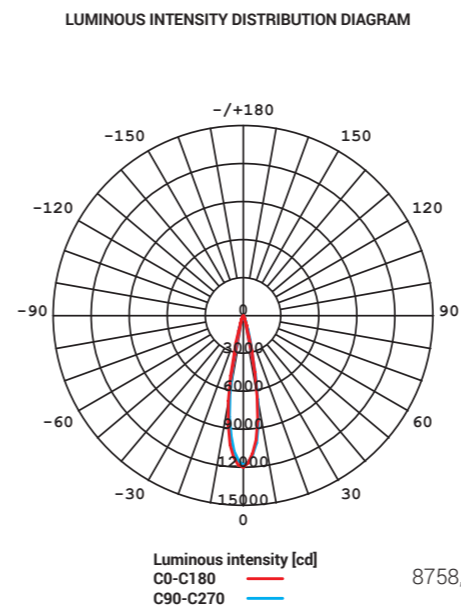
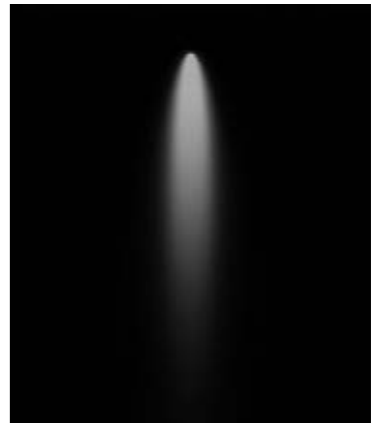
aluminium / aluminum / алюминий

- 8762 ○ WH - 3000K 8760 ● BL - 3000K
- 8761 ○ WH - 4000K 8758 ● BL - 4000K

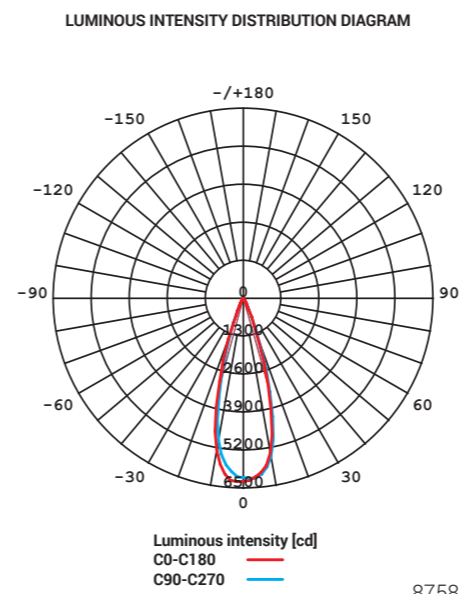
Item No.	POWER	COLOUR TEMP.	LUMEN	BEAM ANGLE	CRI	IP	LED BRAND	DRIVER BRAND	LIFETIME	WARRANTY
8762	25W	3000K	1900	11°, 21°, 31°	≥90	20	SAMSUNG	OSRAM	50000h	5 YEARS
8761	25W	4000K	1900	11°, 21°, 31°	≥90	20	SAMSUNG	OSRAM	50000h	5 YEARS
8760	25W	3000K	1900	11°, 21°, 31°	≥90	20	SAMSUNG	OSRAM	50000h	5 YEARS
8758	25W	4000K	1900	11°, 21°, 31°	≥90	20	SAMSUNG	OSRAM	50000h	5 YEARS



8758, 8760, 8761, 8762, 25W, 3000K, 4000K, beam angle 11°



8758, 8760, 8761, 8762, 25W, 3000K, 4000K, beam angle 21°



8758, 8760, 8761, 8762, 25W, 3000K, 4000K, beam angle 31°





CTLS NEA LED 40W
8748 WH

CL IOS LED 40W
8724 BL

COMMERCIAL TRACK LIGHTS SYSTEM (CTLS) NEA LED



CTLS NEA LED 20W



CTLS NEA LED 30W



CTLS NEA LED 40W

NEA LED właściwości:

- Uniwersalny adapter Global do szynoprzewodów trójobwodowych
- Dostępna w trzech opcjach mocy: 20W, 30W, 40W
- Trzy soczewki w zestawie do regulowania kąta świecenia
- W zestawie przeciwolśnieniowy filtr typu „plaster miodu”
- Dostępna w dwóch temperaturach barwowych: 3000K i 4000K
- Możliwość regulacji o 180° w pionie oraz obrócenia o 355° w poziomie
- Współczynnik oddawania barw CRI ≥ 90
- Moduł LED SAMSUNG, zasilacz OSRAM
- Żywotność: min. 50.000 godzin
- 5 lat gwarancji

NEA LED range features:

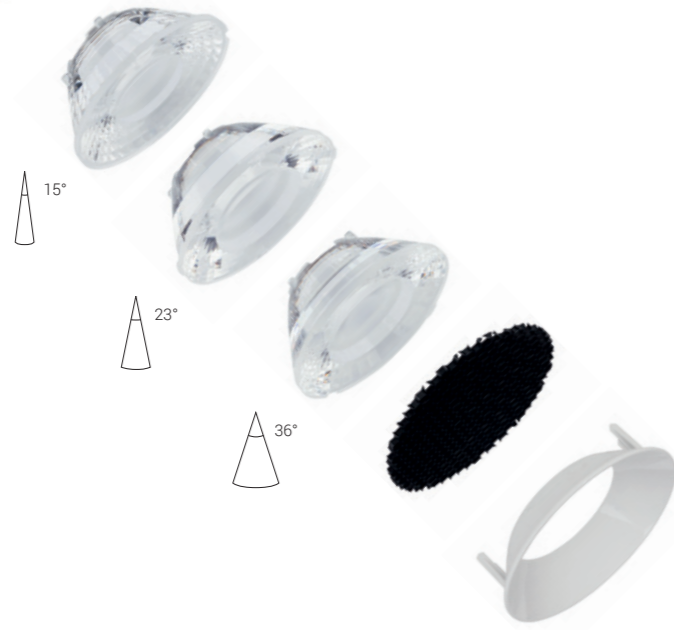
- Universal adapter by Global for 3-circuit track light system
- Available in three power options: 20W, 30W, 40W
- 3 lenses included to adjust the beam angle
- Anti-glare honeycomb included
- Available in two colour temperatures: 3000K and 4000K
- Tilts 180° vertically and rotates 355° horizontally
- Colour Rendering Index (CRI) ≥ 90
- SAMSUNG LED module, OSRAM driver inside
- 50000h min. lifetime
- 5-year warranty

Особенности ассортимента NEA LED:

- Универсальный адаптер от Global для трехконтурной системы трекового освещения
- Доступно в трех вариантах мощности: 20W, 30W или 40W
- В комплекте 3 линзы для регулирования угла лучей
- Антибликовый фильтр в комплекте (тип фильтра «Соты»)
- Доступно в двух цветовых температурах: 3000K или 4000K
- Угол наклона 180° вертикально и поворот 355° по горизонтали
- Индекс цветопередачи (CRI) ≥ 90
- Модуль LED SAMSUNG, драйвер от OSRAM
- Срок эксплуатации мин. 50 000 ч
- 5-летняя гарантия



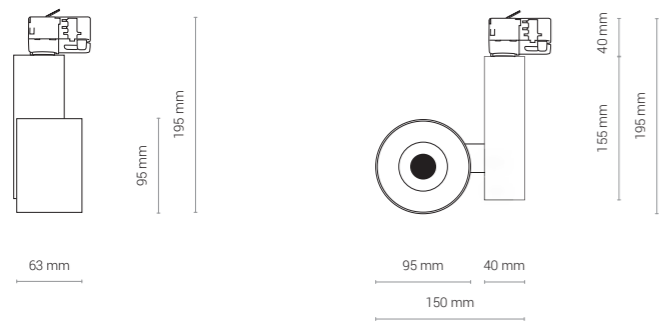
CTLS NEA LED 20W



ZESTAW ZAWIERA 3 SOCZEWKI I FILTR PRZECIWOŚNIEIOWY "PLASTER MIODU"

3 LENSES AND ANTI-GLARE "HONEYCOMB" INCLUDED

3 ЛИНЗЫ И АНТИБЛИКОВЫЙ ФИЛЬТР (ТИП ФИЛЬТРА «СОТЫ») В КОМПЛЕКТЕ



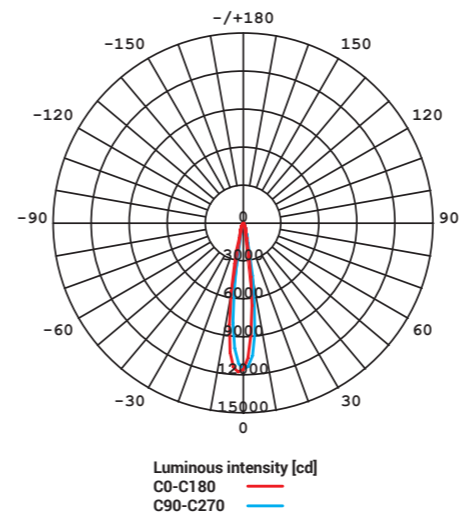
CTLS NEA LED 20W

aluminium / aluminum / алюминий

- 8757 ○ WH - 3000K 8755 ● BL - 3000K
- 8756 ○ WH - 4000K 8754 ● BL - 4000K

Item No.	POWER	COLOUR TEMP.	LUMEN	BEAM ANGLE	CRI	IP	LED BRAND	DRIVER BRAND	LIFETIME	WARRANTY
8757	20W	3000K	1600	15°, 23°, 36°	≥90	20	SAMSUNG	OSRAM	50000h	5 YEARS
8756	20W	4000K	1600	15°, 23°, 36°	≥90	20	SAMSUNG	OSRAM	50000h	5 YEARS
8755	20W	3000K	1600	15°, 23°, 36°	≥90	20	SAMSUNG	OSRAM	50000h	5 YEARS
8754	20W	4000K	1600	15°, 23°, 36°	≥90	20	SAMSUNG	OSRAM	50000h	5 YEARS

LUMINOUS INTENSITY DISTRIBUTION DIAGRAM



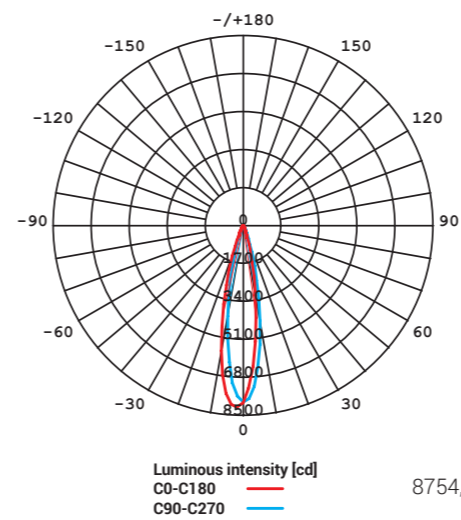
Beam cone diagram
Beam angle 15°

Distance [m]	Illuminance [lx] 3000K/4000K	Diameter [m]
1 m	11749	0,29
2 m	2937	0,57
3 m	1305	0,86
4 m	734	1,14
5 m	470	1,43
6 m	326	1,72
7 m	240	2,00

8754, 8755, 8756, 8757, 25W, 3000K, 4000K, beam angle 15°



LUMINOUS INTENSITY DISTRIBUTION DIAGRAM



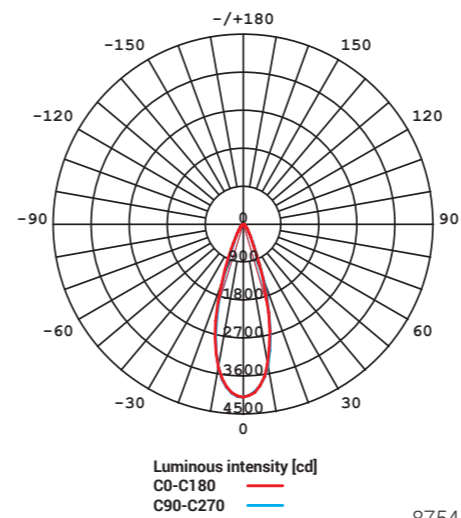
Beam cone diagram
Beam angle 23°

Distance [m]	Illuminance [lx] 3000K/4000K	Diameter [m]
1 m	8115	0,38
2 m	2029	0,75
3 m	902	1,13
4 m	507	1,51
5 m	325	1,88
6 m	225	2,26
7 m	166	2,63

8754, 8755, 8756, 8757, 25W, 3000K, 4000K, beam angle 23°



LUMINOUS INTENSITY DISTRIBUTION DIAGRAM



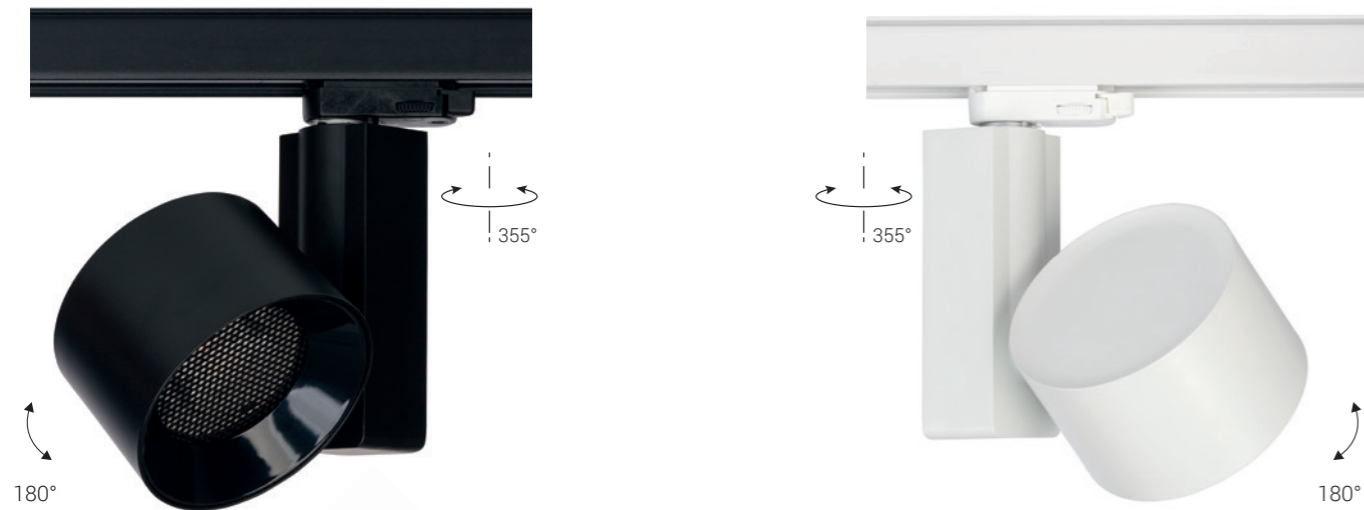
Beam cone diagram
Beam angle 36°

Distance [m]	Illuminance [lx] 3000K/4000K	Diameter [m]
1 m	4100	0,62
2 m	1025	1,23
3 m	456	1,85
4 m	256	2,46
5 m	164	3,08
6 m	114	3,69
7 m	84	4,31

8754, 8755, 8756, 8757, 25W, 3000K, 4000K, beam angle 36°



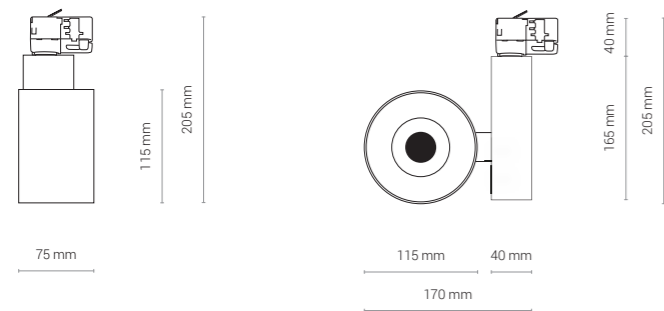
CTLS NEA LED 30W



ZESTAW ZAWIERA 3 SOCZEWKI I FILTR PRZECIWOŚNIEIOWY "PLASTER MIODU"

3 LENSES AND ANTI-GLARE "HONEYCOMB" INCLUDED

3 ЛИНЗЫ И АНТИБЛИКОВЫЙ ФИЛЬТР (ТИП ФИЛЬТРА «СОТЫ») В КОМПЛЕКТЕ



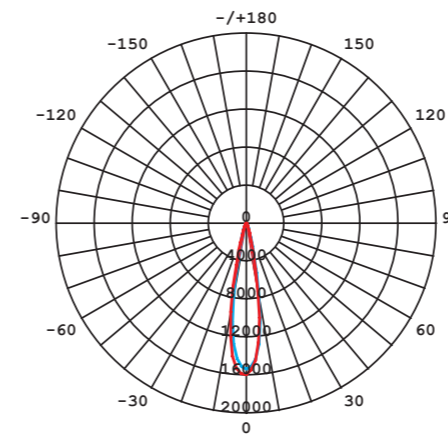
CTLS NEA LED 30W

aluminium / aluminum / алюминий

- 8753 ○ WH - 3000K 8751 ● BL - 3000K
- 8752 ○ WH - 4000K 8750 ● BL - 4000K

Item No.	POWER	COLOUR TEMP.	LUMEN	BEAM ANGLE	CRI	IP	LED BRAND	DRIVER BRAND	LIFETIME	WARRANTY
8753	30W	3000K	2600	20°, 25°, 37°	≥90	20	SAMSUNG	OSRAM	50000h	5 YEARS
8752	30W	4000K	2600	20°, 25°, 37°	≥90	20	SAMSUNG	OSRAM	50000h	5 YEARS
8751	30W	3000K	2600	20°, 25°, 37°	≥90	20	SAMSUNG	OSRAM	50000h	5 YEARS
8750	30W	4000K	2600	20°, 25°, 37°	≥90	20	SAMSUNG	OSRAM	50000h	5 YEARS

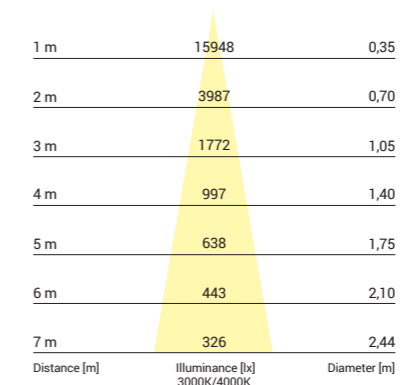
LUMINOUS INTENSITY DISTRIBUTION DIAGRAM



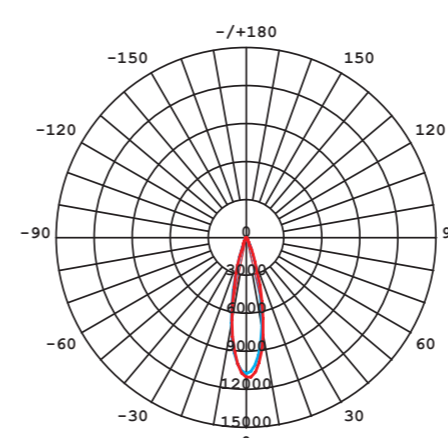
Luminous intensity [cd]
C0-C180 — (red line)
C90-C270 — (blue line)

8750, 8751, 8752, 8753, 30W, 3000K, 4000K, beam angle 20°

Beam cone diagram
Beam angle 20°



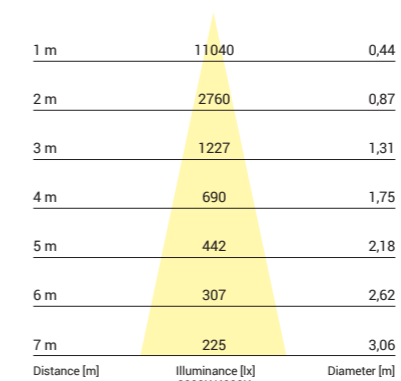
LUMINOUS INTENSITY DISTRIBUTION DIAGRAM



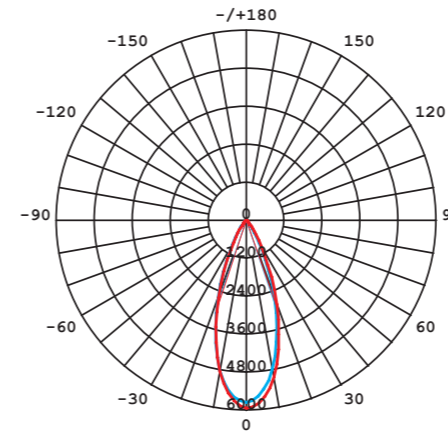
Luminous intensity [cd]
C0-C180 — (red line)
C90-C270 — (blue line)

8750, 8751, 8752, 8753, 30W, 3000K, 4000K, beam angle 25°

Beam cone diagram
Beam angle 25°



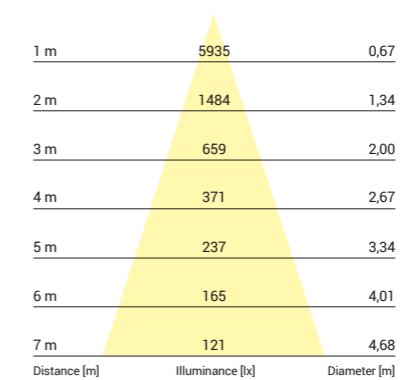
LUMINOUS INTENSITY DISTRIBUTION DIAGRAM



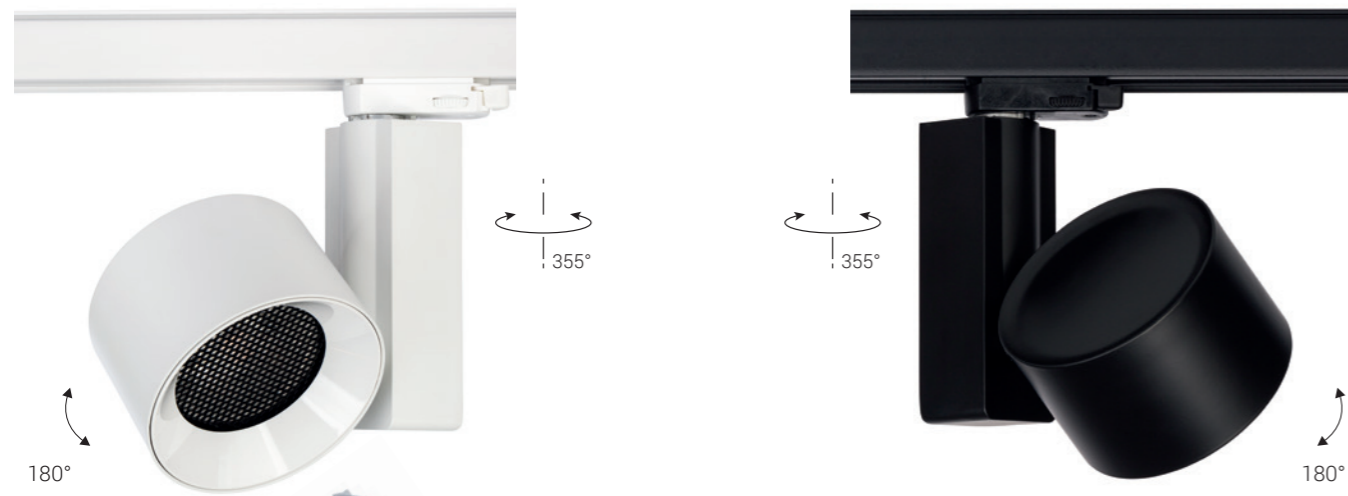
Luminous intensity [cd]
C0-C180 — (red line)
C90-C270 — (blue line)

8750, 8751, 8752, 8753, 30W, 3000K, 4000K, beam angle 37°

Beam cone diagram
Beam angle 37°



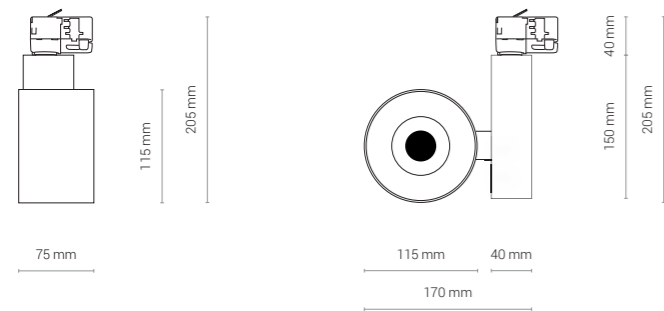
CTLS NEA LED 40W



ZESTAW ZAWIERA 3 SOCZEWKI I FILTR PRZECIWOŚNIENIOWY "PLASTER MIODU"

3 LENSES AND ANTI-GLARE "HONEYCOMB" INCLUDED

3 ЛИНЗЫ И АНТИБЛИКОВЫЙ ФИЛЬТР (ТИП ФИЛЬТРА «СОТЫ») В КОМПЛЕКТЕ



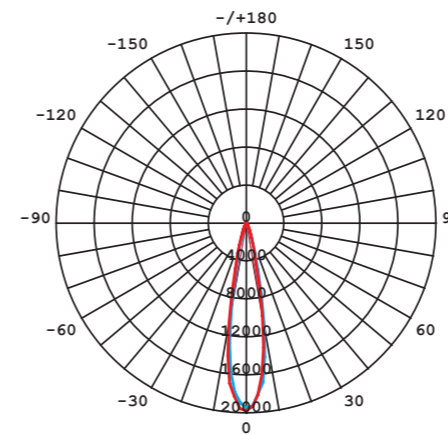
CTLS NEA LED 40W

aluminium / aluminum / алюминий

- 8748 ○ WH - 3000K 8746 ● BL - 3000K
- 8747 ○ WH - 4000K 8745 ● BL - 4000K

Item No.	POWER	COLOUR TEMP.	LUMEN	BEAM ANGLE	CRI	IP	LED BRAND	DRIVER BRAND	LIFETIME	WARRANTY
8748	40W	3000K	3600	20°, 25°, 37°	≥90	20	SAMSUNG	OSRAM	50000h	5 YEARS
8747	40W	4000K	3600	20°, 25°, 37°	≥90	20	SAMSUNG	OSRAM	50000h	5 YEARS
8746	40W	3000K	3600	20°, 25°, 37°	≥90	20	SAMSUNG	OSRAM	50000h	5 YEARS
8745	40W	4000K	3600	20°, 25°, 37°	≥90	20	SAMSUNG	OSRAM	50000h	5 YEARS

LUMINOUS INTENSITY DISTRIBUTION DIAGRAM



Luminous intensity [cd]
C0-C180 — red line
C90-C270 — blue line

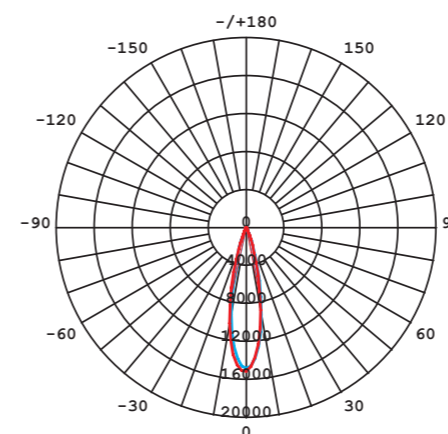
8745, 8746, 8747, 8748, 40W, 3000K, 4000K, beam angle 20°

Beam cone diagram
Beam angle 20°

Distance [m]	Illuminance [lx] 3000K/4000K	Diameter [m]
1 m	19752	0,36
2 m	4938	0,72
3 m	2195	1,08
4 m	1235	1,43
5 m	790	1,79
6 m	549	2,15
7 m	403	2,51



LUMINOUS INTENSITY DISTRIBUTION DIAGRAM



Luminous intensity [cd]
C0-C180 — red line
C90-C270 — blue line

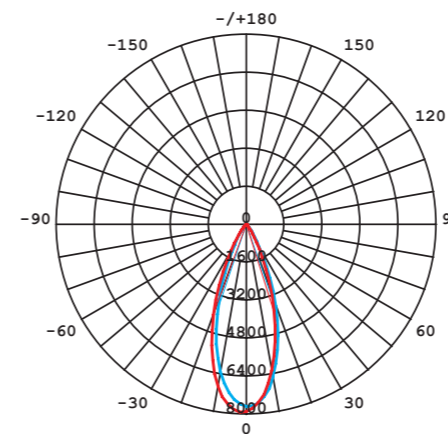
8745, 8746, 8747, 8748, 40W, 3000K, 4000K, beam angle 25°

Beam cone diagram
Beam angle 25°

Distance [m]	Illuminance [lx] 3000K/4000K	Diameter [m]
1 m	15100	0,42
2 m	3775	0,84
3 m	1678	1,27
4 m	944	1,69
5 m	604	2,11
6 m	419	2,53
7 m	308	2,95



LUMINOUS INTENSITY DISTRIBUTION DIAGRAM



Luminous intensity [cd]
C0-C180 — red line
C90-C270 — blue line

8745, 8746, 8747, 8748, 40W, 3000K, 4000K, beam angle 37°

Beam cone diagram
Beam angle 37°

Distance [m]	Illuminance [lx] 3000K/4000K	Diameter [m]
1 m	7906	0,68
2 m	1977	1,36
3 m	879	2,05
4 m	494	2,73
5 m	316	3,41
6 m	220	4,09
7 m	161	4,77



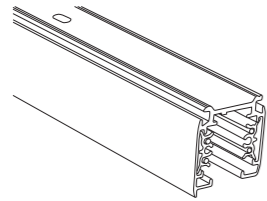
COMMERCIAL TRACK LIGHTS SYSTEM (CTLS) 3 CIRCUIT



CTLS TRACK, 1m

aluminium / aluminum / алюминий

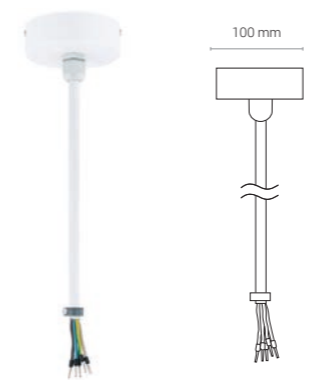
8715 ○ WH 8714 ● BL



CTLS TRACK, 2m

aluminium / aluminum / алюминий

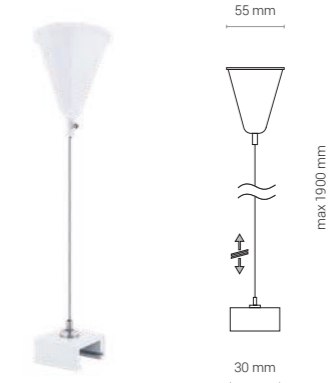
8717 ○ WH 8716 ● BL



CTLS POWER SUPPLY KIT

przewód, stal lakierowana / line, painted steel / проволока, лакированная сталь

8284 ○ WH 8283 ● BL

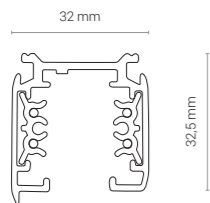
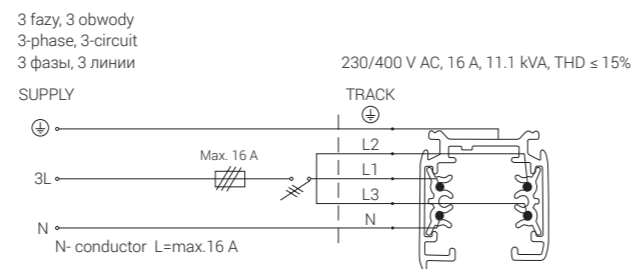
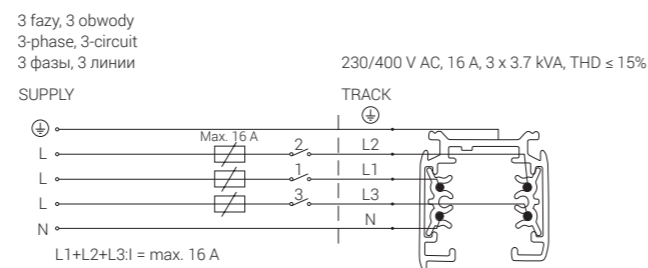
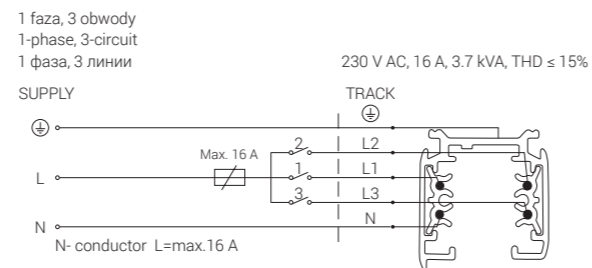


CTLS SUSPENSION KIT

PC, stal lakierowana / PC, painted steel / PC, лакированная сталь

8696 ○ WH 8697 ● BL

Schematy zasilania / Power supply circuit diagrams / Схема питания

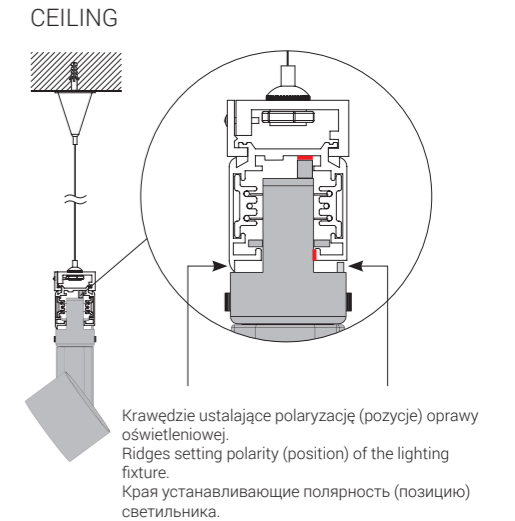
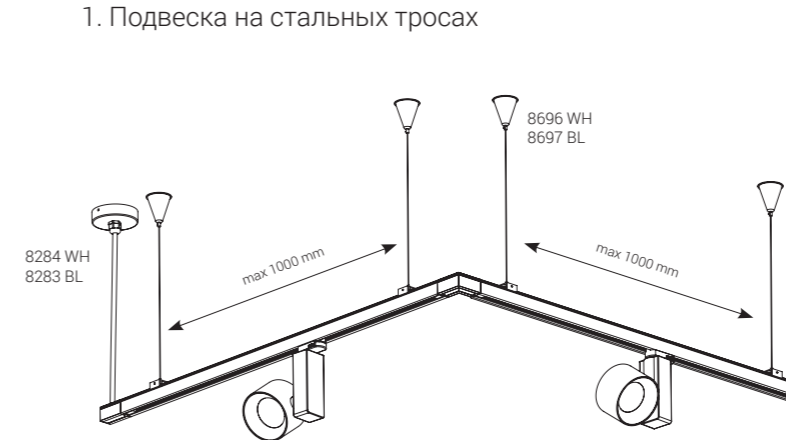


System szynoprzewodowy (CTLS) należy równomiernie obciążyć elektrycznie oraz równomiernie rozmieścić oprawy na jego długości.
The track light system (CTLS) should be evenly electrically loaded and the fittings should be evenly placed along its length.
Система шинопроводов (CTLS) должна быть равномерно электрически нагружена, а светильники - равномерно распределены по ее длине

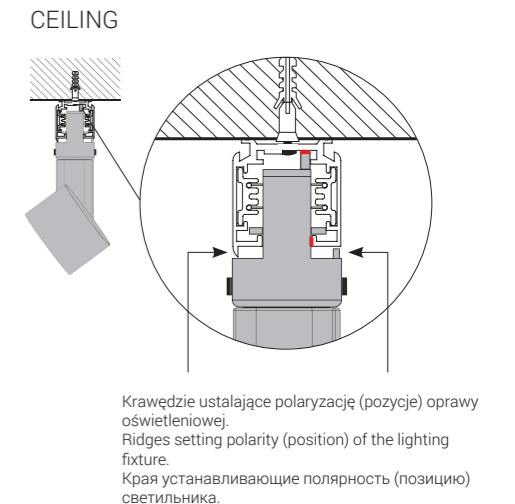
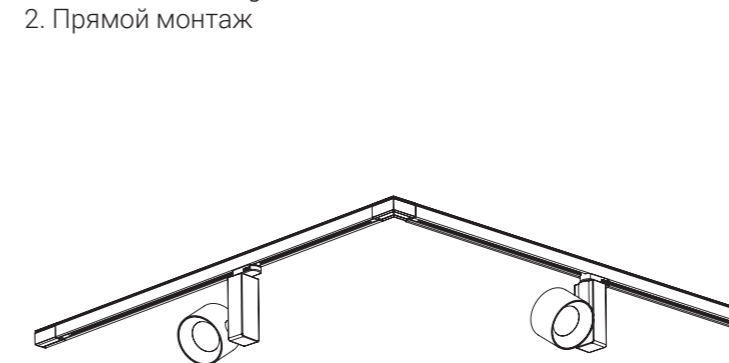
Maksymalna długość systemu szynoprzewodowego - 100 m
Maximum length of track lights system - 100 m
Допустимая макс. длина системы шинопровода - 100 м

Sposoby montażu / Installation methods / Методы монтажа

- Zwieszenie na linkach
1. Suspended on steel wires
1. Подвеска на стальных тросах

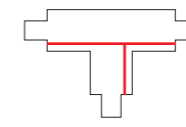
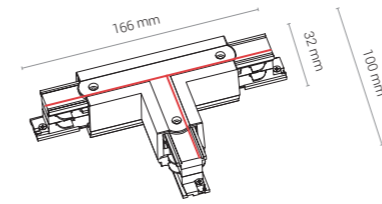
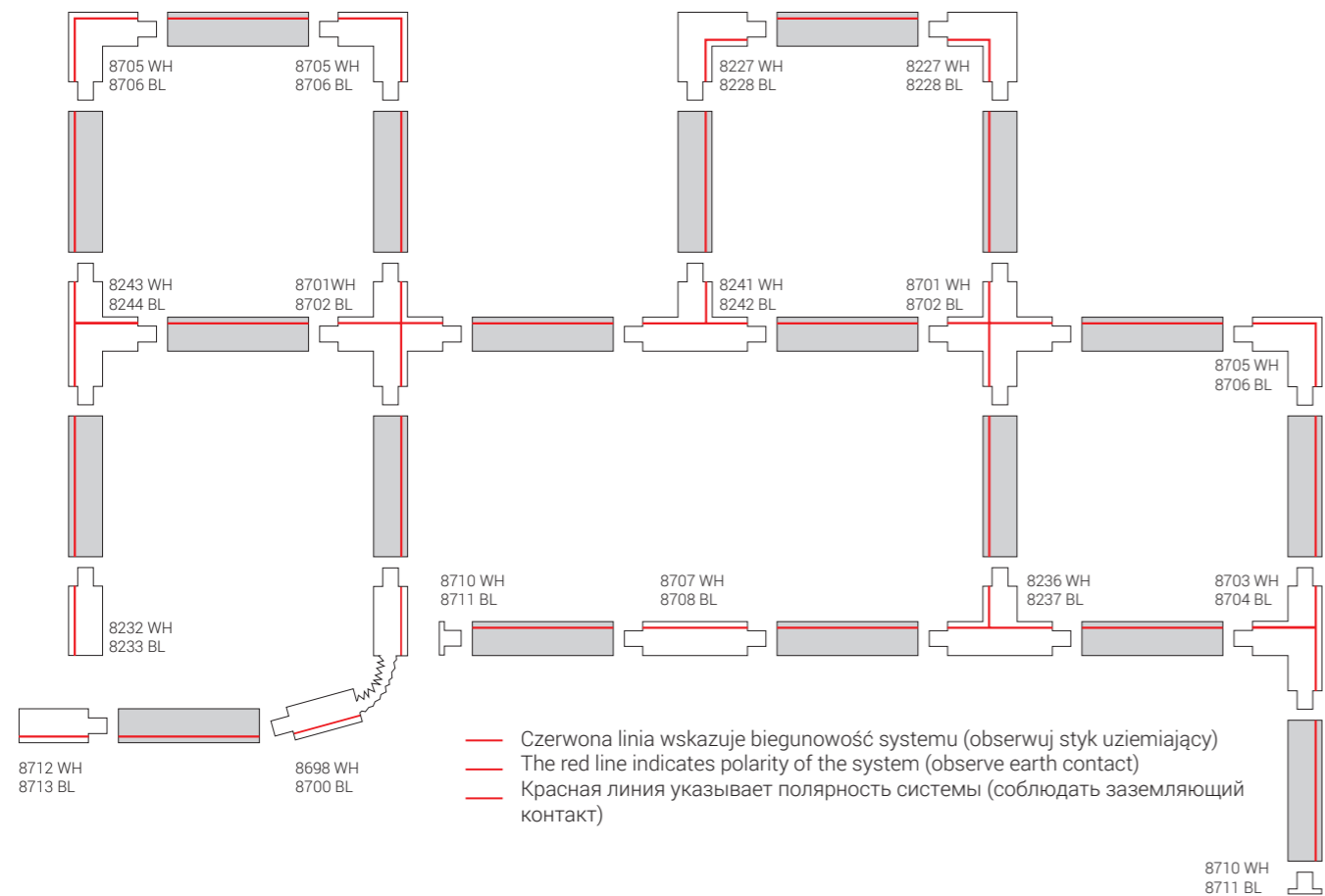


- Montaż bezpośredni
2. Surface mounting
2. Прямой монтаж



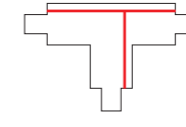
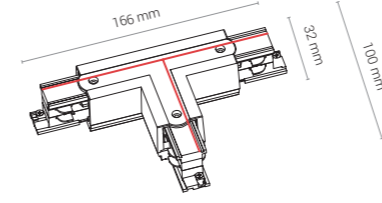
Zalecany dystans pomiędzy mocowaniami max. 1000 mm
The recommended fastening distance is max. 1000 mm
Рекомендуемое расстояние между креплениями не более 1000 мм

POLARITY IN COMMERCIAL TRACK LIGHTS SYSTEM (CTLS)



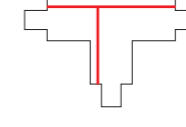
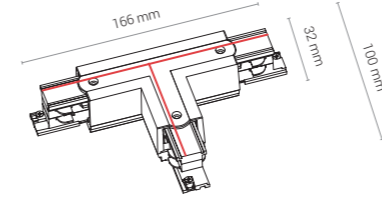
CTLS POWER T CONNECTOR, LEFT 2 (T-L2)

PC, miedź / PC, copper / PC, медь
8236 ○ WH 8237 ● BL



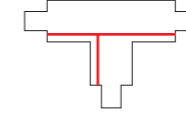
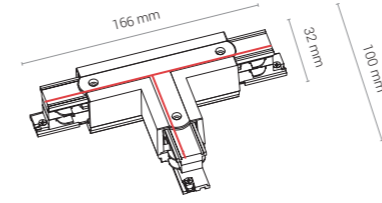
CTLS POWER T CONNECTOR, LEFT 1 (T-L1)

PC, miedź / PC, copper / PC, медь
8243 ○ WH 8244 ● BL



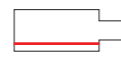
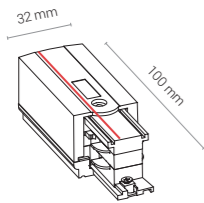
CTLS POWER T CONNECTOR, RIGHT 2 (T-R2)

PC, miedź / PC, copper / PC, медь
8703 ○ WH 8704 ● BL



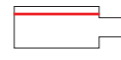
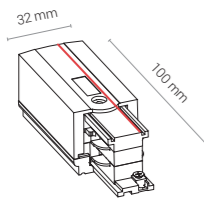
CTLS POWER T CONNECTOR, RIGHT 1 (T-R1)

PC, miedź / PC, copper / PC, медь
8241 ○ WH 8242 ● BL



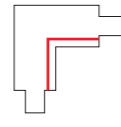
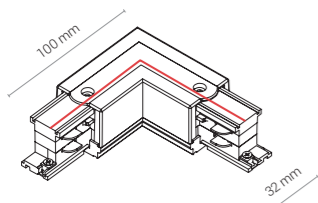
CTLS POWER END CAP, RIGHT (PE-R)

PC, miedź / PC, copper / PC, медь
8712 ○ WH 8713 ● BL



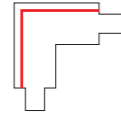
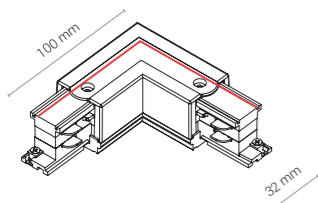
CTLS POWER END CAP, LEFT (PE-L)

PC, miedź / PC, copper / PC, медь
8232 ○ WH 8233 ● BL



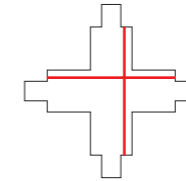
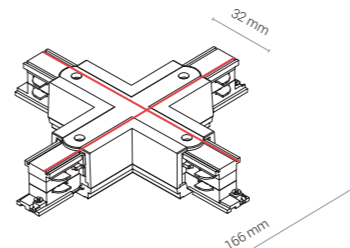
CTLS POWER L CONNECTOR, RIGHT (L-R)

PC, miedź / PC, copper / PC, медь
8227 ○ WH 8228 ● BL



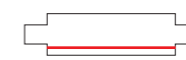
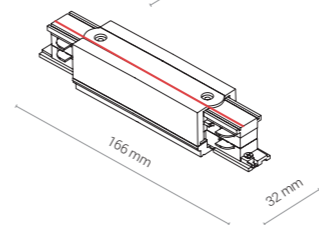
CTLS POWER L CONNECTOR, LEFT (L-L)

PC, miedź / PC, copper / PC, медь
8705 ○ WH 8706 ● BL



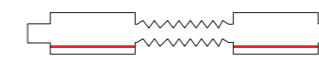
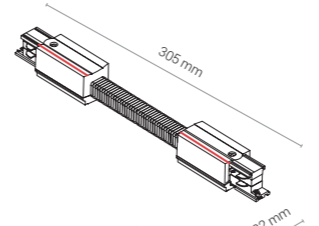
CTLS POWER X CONNECTOR

PC, miedź / PC, copper / PC, медь
8701 ○ WH 8702 ● BL



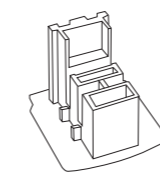
CTLS POWER STRAIGHT CONNECTOR

PC, miedź / PC, copper / PC, медь
8707 ○ WH 8708 ● BL



CTLS POWER FLEX CONNECTOR

PC, miedź / PC, copper / PC, медь
8698 ○ WH 8700 ● BL



CTLS DEAD END CAP

PC / PC / PC
8710 ○ WH 8711 ● BL

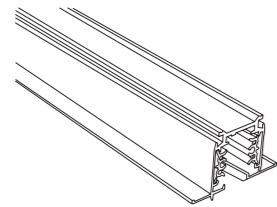
COMMERCIAL TRACK LIGHTS SYSTEM (CTLS) RECESSED, 3 CIRCUIT



CTLS RECESSED TRACK, 1m

aluminium / aluminum / алюминия

8693 ○ WH 8692 ● BL

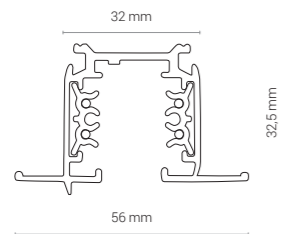
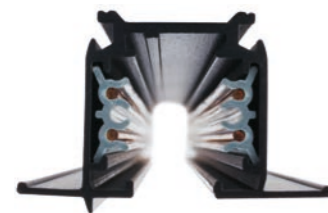
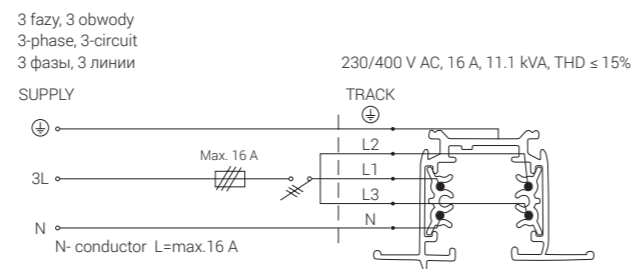
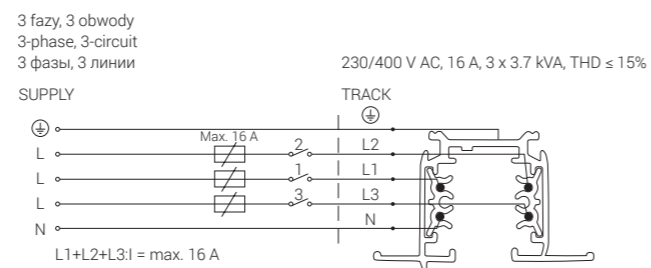
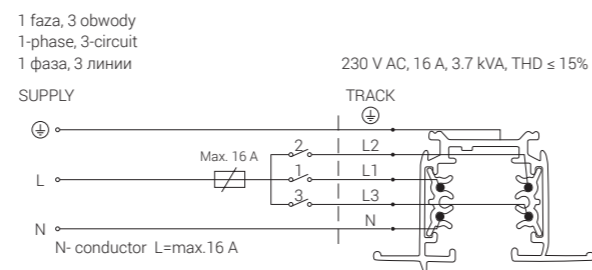


CTLS RECESSED TRACK, 2m

aluminium / aluminum / алюминия

8695 ○ WH 8694 ● BL

Schematy zasilania / Power supply circuit diagrams / Схема питания

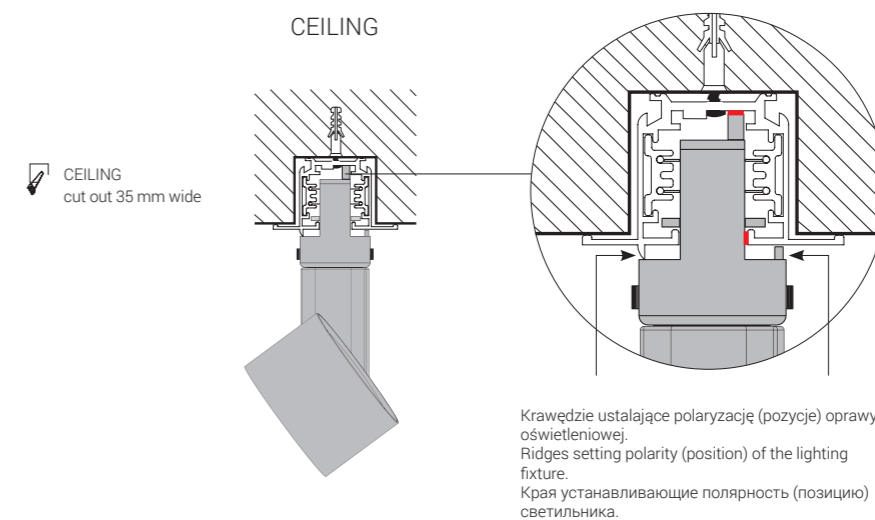
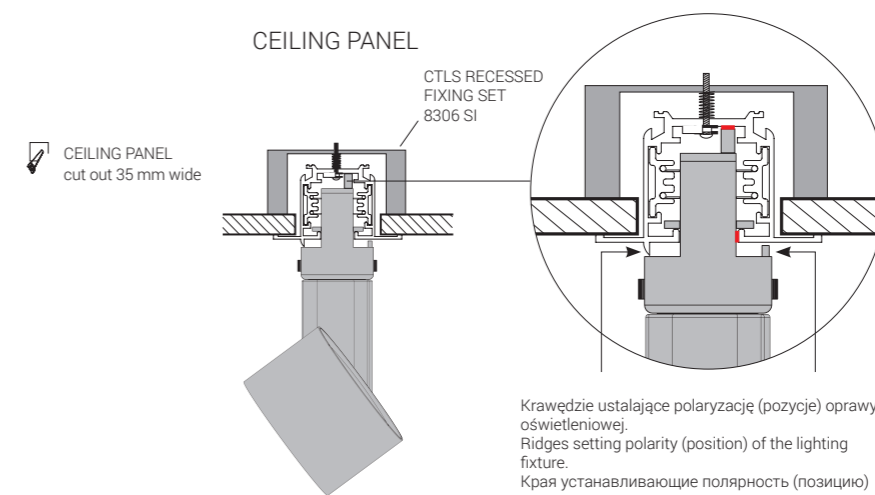
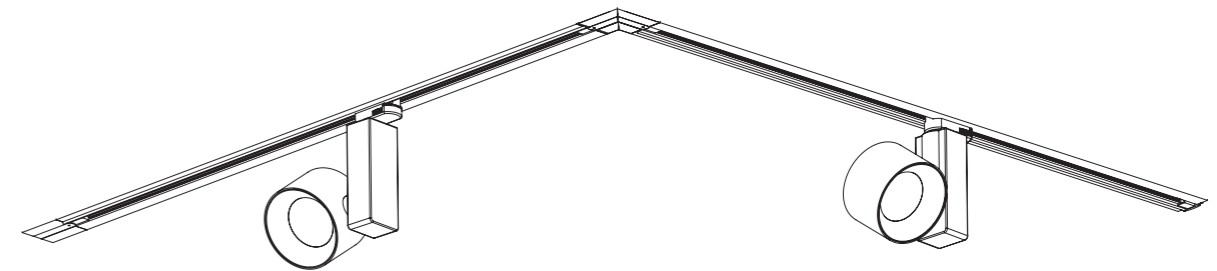


System szynoprzewodowy (CTLS) należy równomiernie obciążyć elektrycznie oraz równomiernie rozmieścić oprawy na jego długości.
The track light system (CTLS) should be evenly electrically loaded and the fittings should be evenly placed along its length.
Система шинопроводов (CTLS) должна быть равномерно электрически нагружена, а светильники - равномерно распределены по ее длине

Maksymalna długość systemu szynoprzewodowego - 100 m
Maximum length of track lights system - 100 m
Допустимая макс. длина системы шинопровода - 100 м

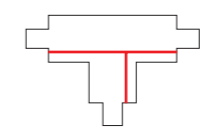
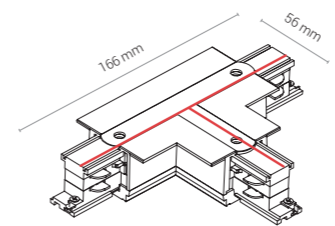
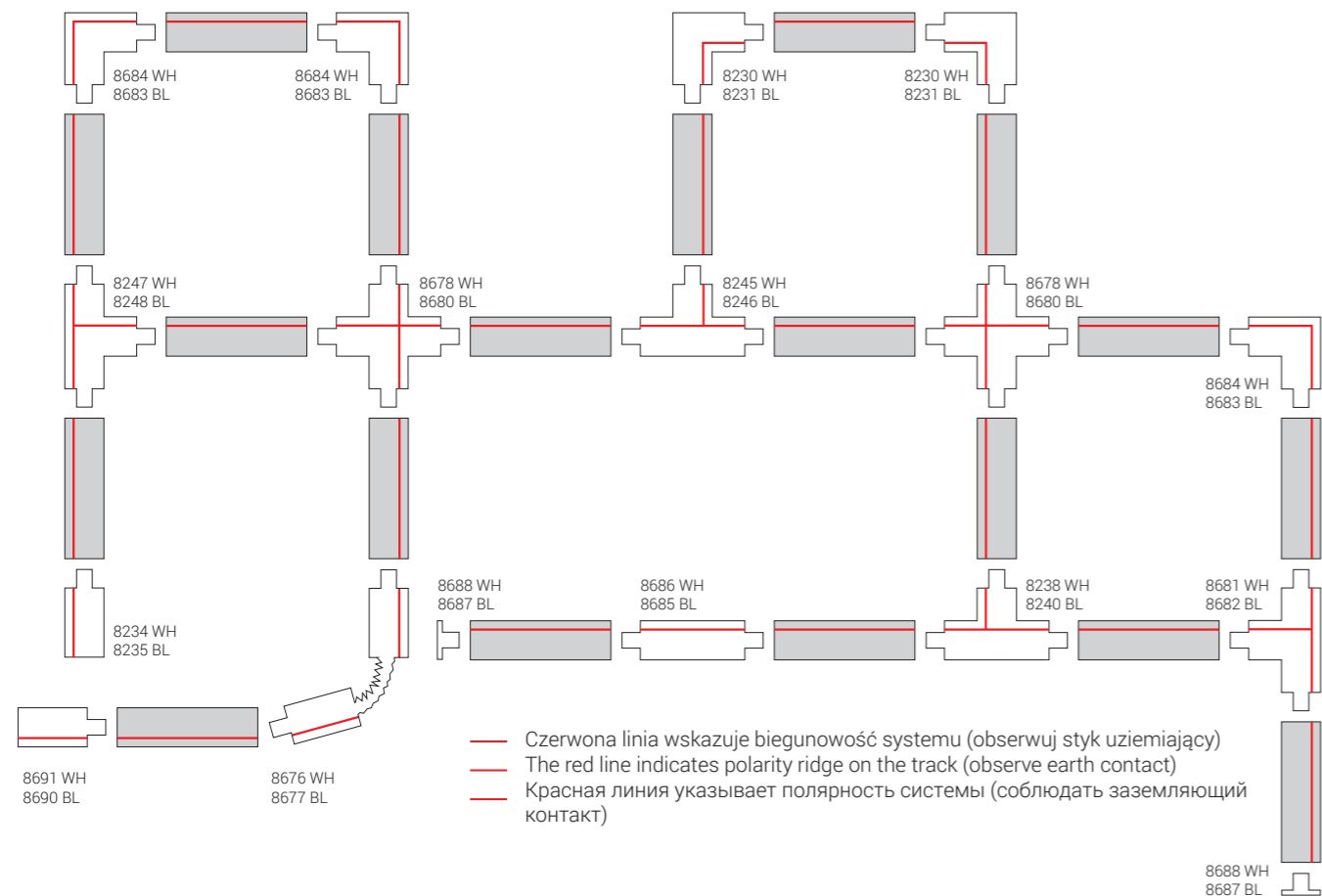
Sposoby montażu / Installation methods / Методы монтажа

1. Montaż podtynkowy
1. Recessed mounting
1. Скрытый монтаж



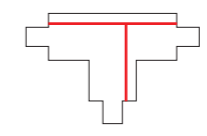
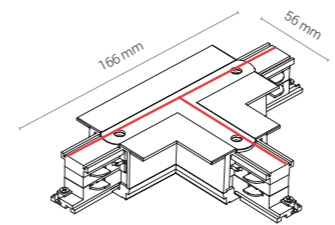
Zalecany dystans pomiędzy mocowaniami max. 1000 mm
The recommended fastening distance is max. 1000 mm
Рекомендуемое расстояние между креплениями не более 1000 мм

POLARITY IN COMMERCIAL TRACK LIGHTS SYSTEM (CTLS) RECESSED



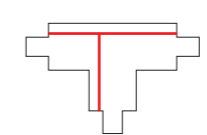
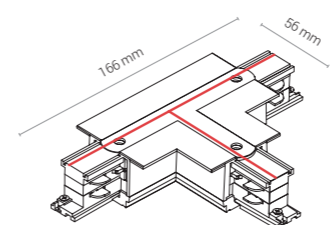
CTLS RECESSED POWER T CONNECTOR, LEFT 2 (T-L2)

PC, miedź / PC, copper / PC, медь
8238 ○ WH 8240 ● BL



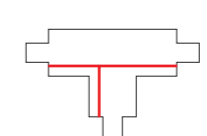
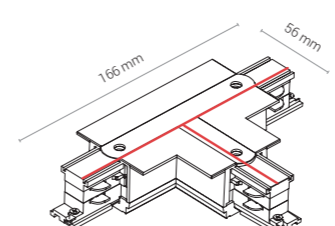
CTLS RECESSED POWER T CONNECTOR, LEFT 1 (T-L1)

PC, miedź / PC, copper / PC, медь
8247 ○ WH 8248 ● BL



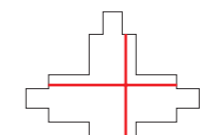
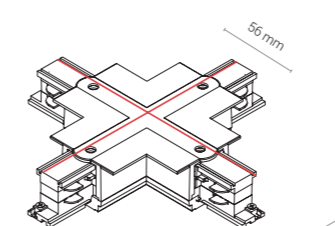
CTLS RECESSED POWER T CONNECTOR, RIGHT 2 (T-R2)

PC, miedź / PC, copper / PC, медь
8681 ○ WH 8682 ● BL



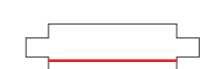
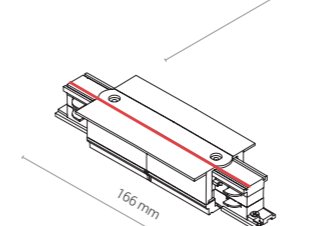
CTLS RECESSED POWER T CONNECTOR, RIGHT 1 (T-R1)

PC, miedź / PC, copper / PC, медь
8245 ○ WH 8246 ● BL



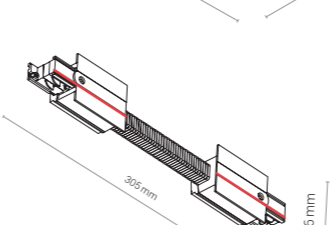
CTLS RECESSED POWER X CONNECTOR

PC, miedź / PC, copper / PC, медь
8678 ○ WH 8680 ● BL



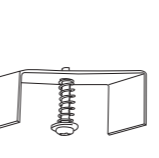
CTLS RECESSED POWER STRAIGHT CONNECTOR

PC, miedź / PC, copper / PC, медь
8686 ○ WH 8685 ● BL



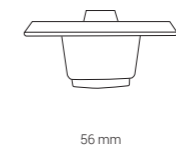
CTLS RECESSED POWER FLEX CONNECTOR

PC, miedź / PC, copper / PC, медь
8676 ○ WH 8677 ● BL



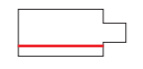
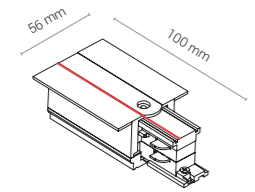
CTLS RECESSED FIXING SET

stal / steel / сталь
8306 ○ SI



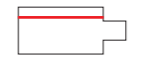
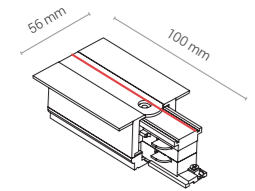
CTLS RECESSED DEAD END CAP

PC / PC / PC
8688 ○ WH 8687 ● BL



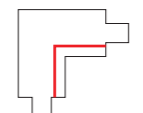
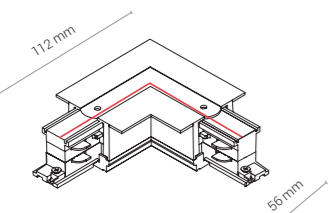
CTLS RECESSED POWER END CAP, RIGHT (PE-R)

PC, miedź / PC, copper / PC, медь
8691 ○ WH 8690 ● BL



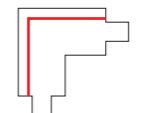
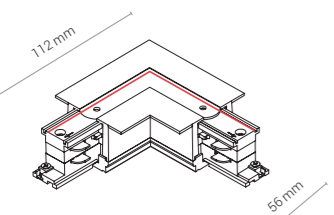
CTLS RECESSED POWER END CAP, LEFT (PE-L)

PC, miedź / PC, copper / PC, медь
8234 ○ WH 8235 ● BL



CTLS RECESSED POWER L CONNECTOR, RIGHT (L-R)

PC, miedź / PC, copper / PC, медь
8230 ○ WH 8231 ● BL



CTLS RECESSED POWER L CONNECTOR, LEFT (L-L)

PC, miedź / PC, copper / PC, медь
8684 ○ WH 8683 ● BL

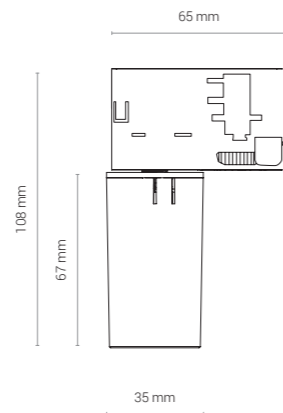


CTLS ADAPTER FOR
CAMELEON SYSTEM
8281 BL

CTLS ADAPTER FOR CAMELEON SYSTEM

ABS / ABS / ABS

8282 ○ WH 8281 ● BL



zastosuj z / works with / применять с
CAMELEON SYSTEM



PDF CAMELEON SYSTEM



CAMELEON SYSTEM

CL KOS LED 24W
8775 WH



COMMERCIAL LIGHTING (CL) KOS LED



CL KOS LED 8W



CL KOS LED 10W



CL KOS LED 16W



CL KOS LED 24W

KOS LED właściwości:

- Dostępna w dwóch temperaturach barwowych: 3000K i 4000K
- Cienki, podtynkowy LED downlight
- Dostępna w czterech opcjach mocy: 8W, 10W, 16W, 24W
- Wysoka skuteczność świetlna
- IP44
- Żywotność: min. 50.000 godzin
- 5 lat gwarancji

KOS LED range features:

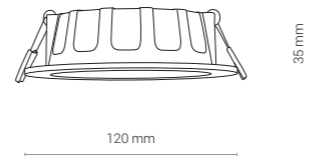
- Available in two colour temperatures: 3000K and 4000K
- Thin LED recessed downlight
- Available in four power options: 8W, 10W, 16W, 24W
- High luminous efficiency
- IP44
- 50000h min. lifetime
- 5-year warranty

Особенности ассортимента KOS LED:

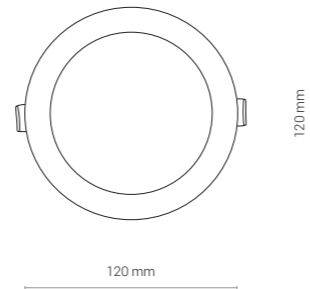
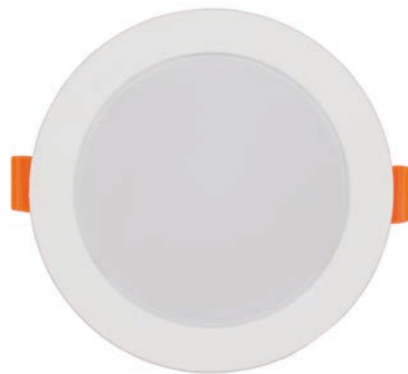
- Доступно в двух цветовых температурах: 3000K или 4000K
- Тонкий светодиодный встраиваемый светильник
- Доступны четыре варианта мощности: 8W, 10W, 16W или 24W
- Высокая световая эффективность излучения
- IP44
- Срок эксплуатации мин. 50 000 ч
- 5-летняя гарантия



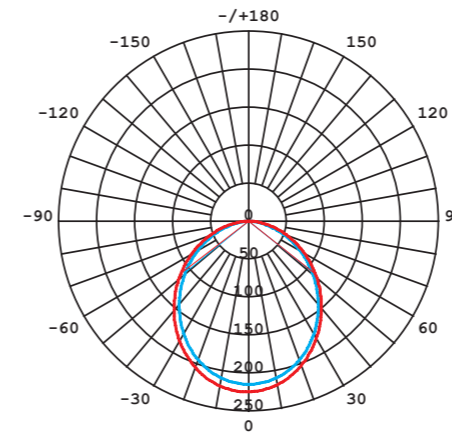
CL KOS LED 8W



cut out \varnothing 100 mm

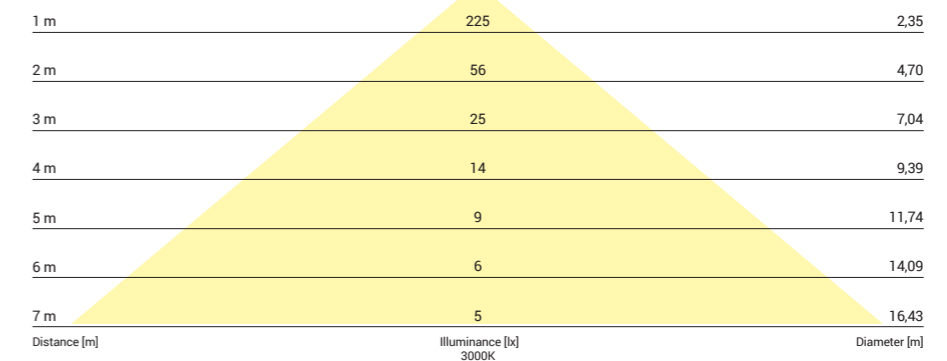


LUMINOUS INTENSITY DISTRIBUTION DIAGRAM



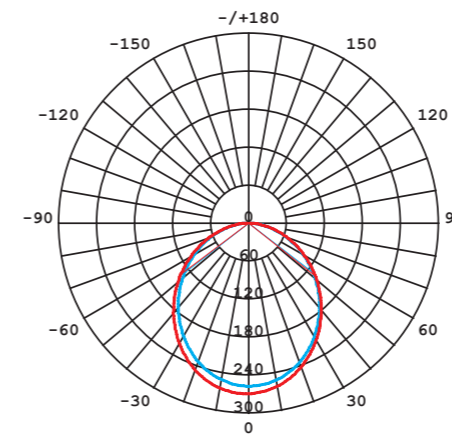
Luminous intensity [cd]
C0-C180 —
C90-C270 —

Beam cone diagram
Beam angle 100°



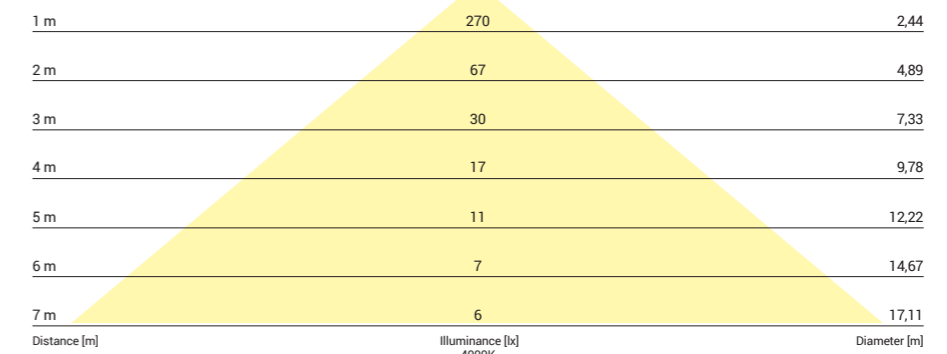
8782, 8W, 3000K, beam angle 100°

LUMINOUS INTENSITY DISTRIBUTION DIAGRAM



Luminous intensity [cd]
C0-C180 —
C90-C270 —

Beam cone diagram
Beam angle 100°



8781, 8W, 4000K, beam angle 100°

CL KOS LED 8W

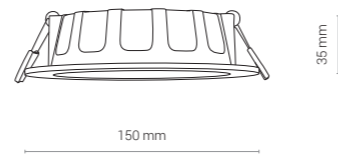
PC / PC / PC

8782 ○ WH - 3000K

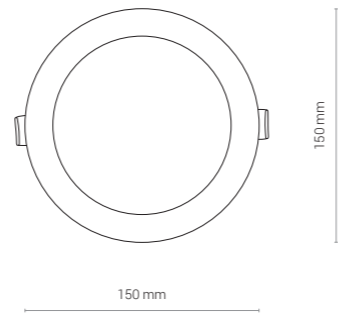
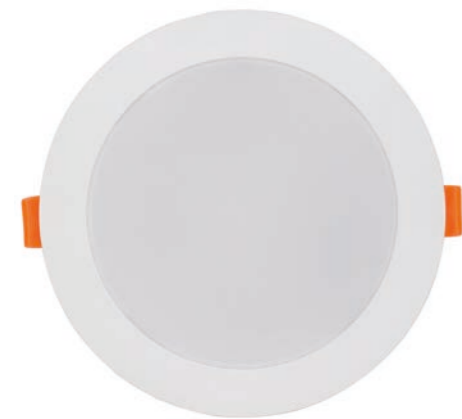
8781 ○ WH - 4000K

Item No.	POWER	COLOUR TEMP.	LUMEN	BEAM ANGLE	CRI	IP	LED BRAND	DRIVER BRAND	LIFETIME	WARRANTY
8782	8W	3000K	600	100°	≥80	44	SANAN	DRIVER ON BOARD	50000h	5 YEARS
8781	8W	4000K	600	100°	≥80	44	SANAN	DRIVER ON BOARD	50000h	5 YEARS

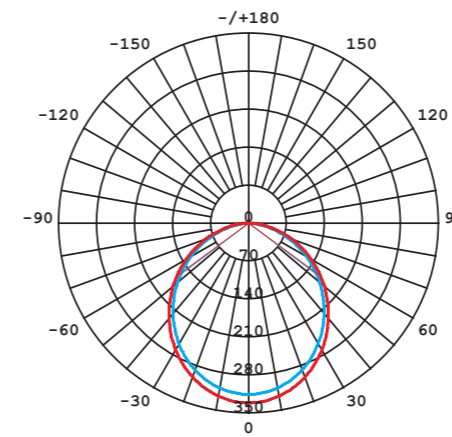
CL KOS LED 10W



cut out ϕ 125 mm

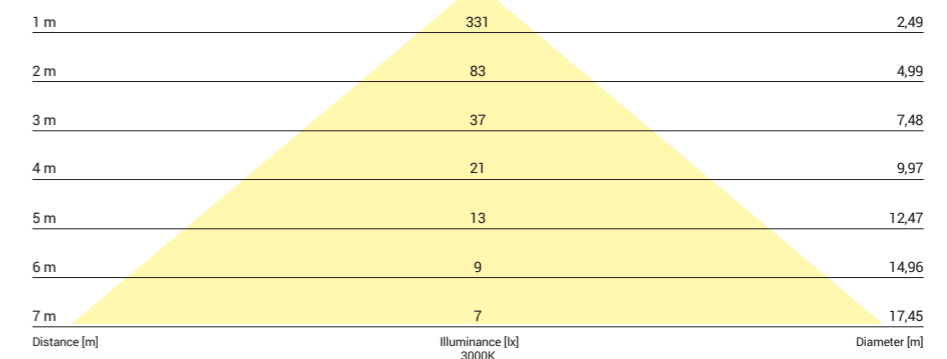


LUMINOUS INTENSITY DISTRIBUTION DIAGRAM



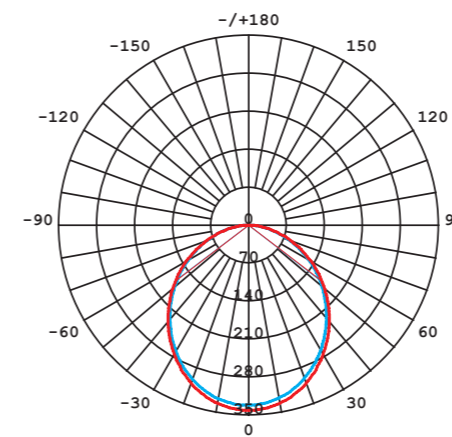
Luminous intensity [cd]
C0-C180 —
C90-C270 —

Beam cone diagram
Beam angle 100°



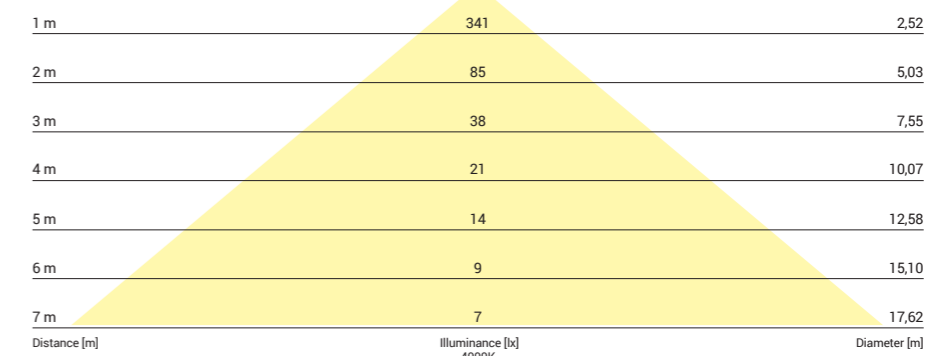
8780, 10W, 3000K, beam angle 100°

LUMINOUS INTENSITY DISTRIBUTION DIAGRAM



Luminous intensity [cd]
C0-C180 —
C90-C270 —

Beam cone diagram
Beam angle 100°



8778, 10W, 4000K, beam angle 100°

CL KOS LED 10W

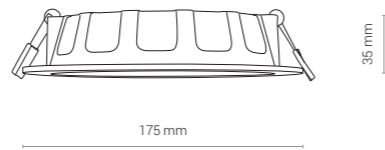
PC / PC / PC

8780 ○ WH - 3000K

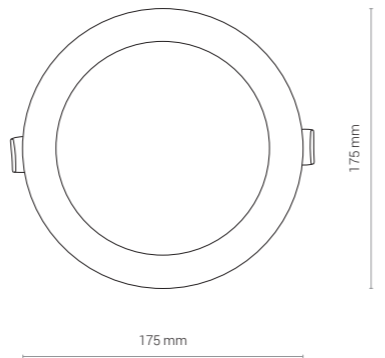
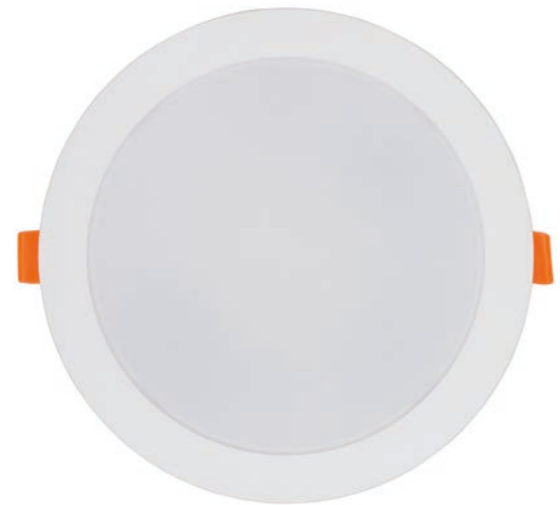
8778 ○ WH - 4000K

Item No.	POWER	COLOUR TEMP.	LUMEN	BEAM ANGLE	CRI	IP	LED BRAND	DRIVER BRAND	LIFETIME	WARRANTY
8780	10W	3000K	850	100°	≥80	44	SANAN	DRIVER ON BOARD	50000h	5 YEARS
8778	10W	4000K	850	100°	≥80	44	SANAN	DRIVER ON BOARD	50000h	5 YEARS

CL KOS LED 16W



cut out ø 150 mm



CL KOS LED 16W

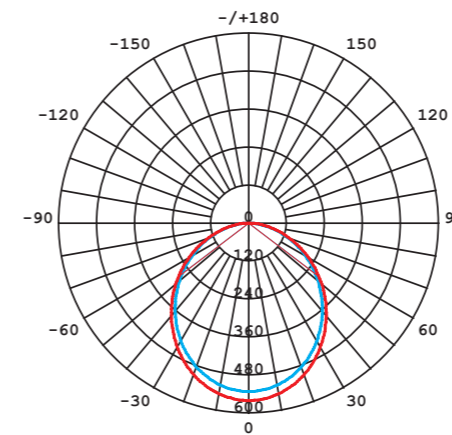
PC / PC / PC

8777 ○ WH - 3000K

8776 ○ WH - 4000K

Item No.	POWER	COLOUR TEMP.	LUMEN	BEAM ANGLE	CRI	IP	LED BRAND	DRIVER BRAND	LIFETIME	WARRANTY
8777	16W	3000K	1450	100°	≥80	44	SANAN	DRIVER ON BOARD	50000h	5 YEARS
8776	16W	4000K	1450	100°	≥80	44	SANAN	DRIVER ON BOARD	50000h	5 YEARS

LUMINOUS INTENSITY DISTRIBUTION DIAGRAM



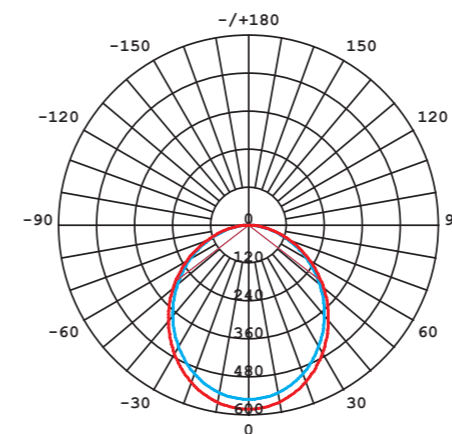
Luminous intensity [cd]
C0-C180 — (red line)
C90-C270 — (blue line)

Beam cone diagram
Beam angle 100°

Distance [m]	Illuminance [lx] 3000K	Diameter [m]
1 m	560	2,46
2 m	140	4,92
3 m	62	7,38
4 m	35	9,85
5 m	22	12,31
6 m	16	14,77
7 m	11	17,23

8777, 16W, 3000K, beam angle 100°

LUMINOUS INTENSITY DISTRIBUTION DIAGRAM



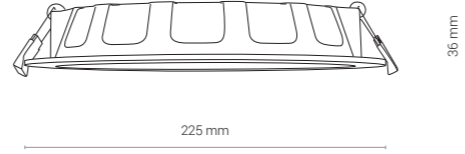
Luminous intensity [cd]
C0-C180 — (red line)
C90-C270 — (blue line)

Beam cone diagram
Beam angle 100°

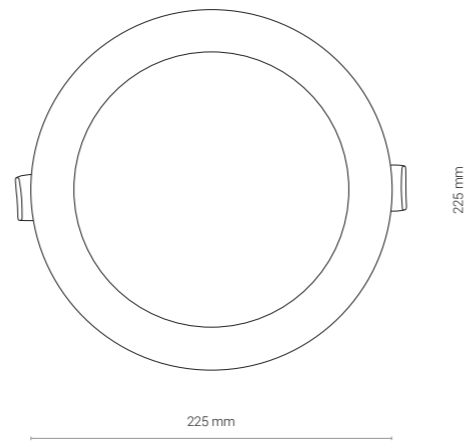
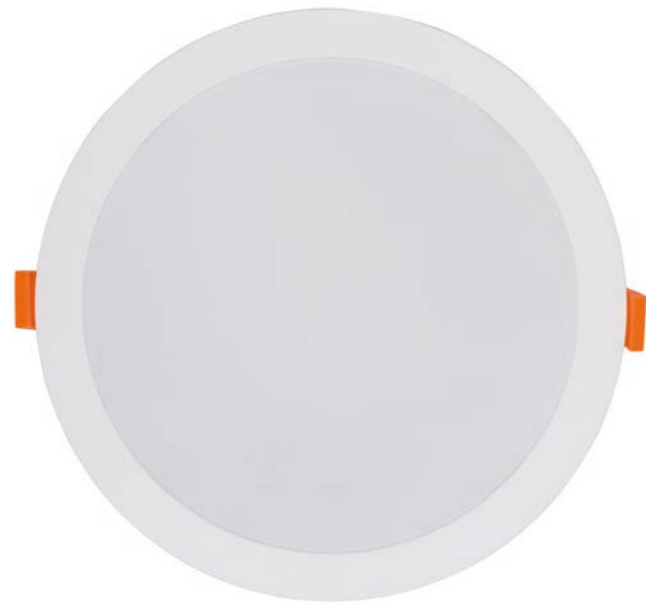
Distance [m]	Illuminance [lx] 4000K	Diameter [m]
1 m	581	2,43
2 m	145	4,86
3 m	65	7,28
4 m	36	9,71
5 m	23	12,14
6 m	16	14,57
7 m	12	17,00

8776, 16W, 4000K, beam angle 100°

CL KOS LED 24W



cut out ø 200 mm



CL KOS LED 24W

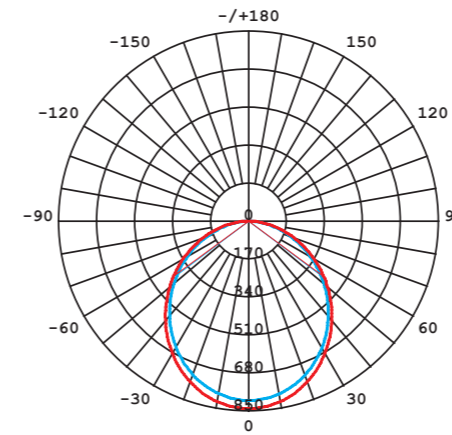
PC / PC / PC

8775 ○ WH - 3000K

8774 ○ WH - 4000K

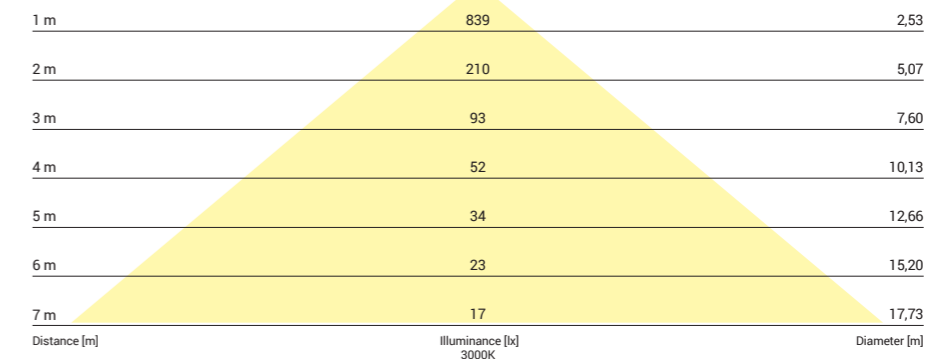
Item No.	POWER	COLOUR TEMP.	LUMEN	BEAM ANGLE	CRI	IP	LED BRAND	DRIVER BRAND	LIFETIME	WARRANTY
8775	24W	3000K	2200	100°	≥80	44	SANAN	DRIVER ON BOARD	50000h	5 YEARS
8774	24W	4000K	2200	100°	≥80	44	SANAN	DRIVER ON BOARD	50000h	5 YEARS

LUMINOUS INTENSITY DISTRIBUTION DIAGRAM



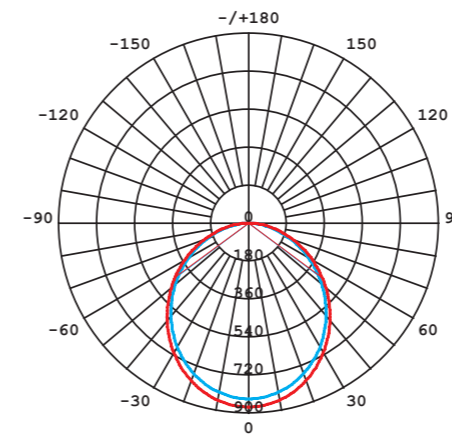
Luminous intensity [cd]
C0-C180 —
C90-C270 —

Beam cone diagram
Beam angle 100°



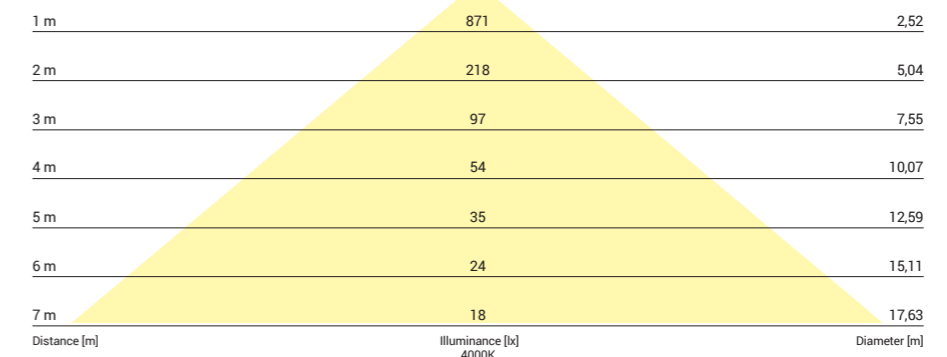
8775, 24W, 3000K, beam angle 100°

LUMINOUS INTENSITY DISTRIBUTION DIAGRAM



Luminous intensity [cd]
C0-C180 —
C90-C270 —

Beam cone diagram
Beam angle 100°



8774, 24W, 4000K, beam angle 100°

COMMERCIAL LIGHTING (CL) ITAKA LED 40W



ITAKA LED właściwości:

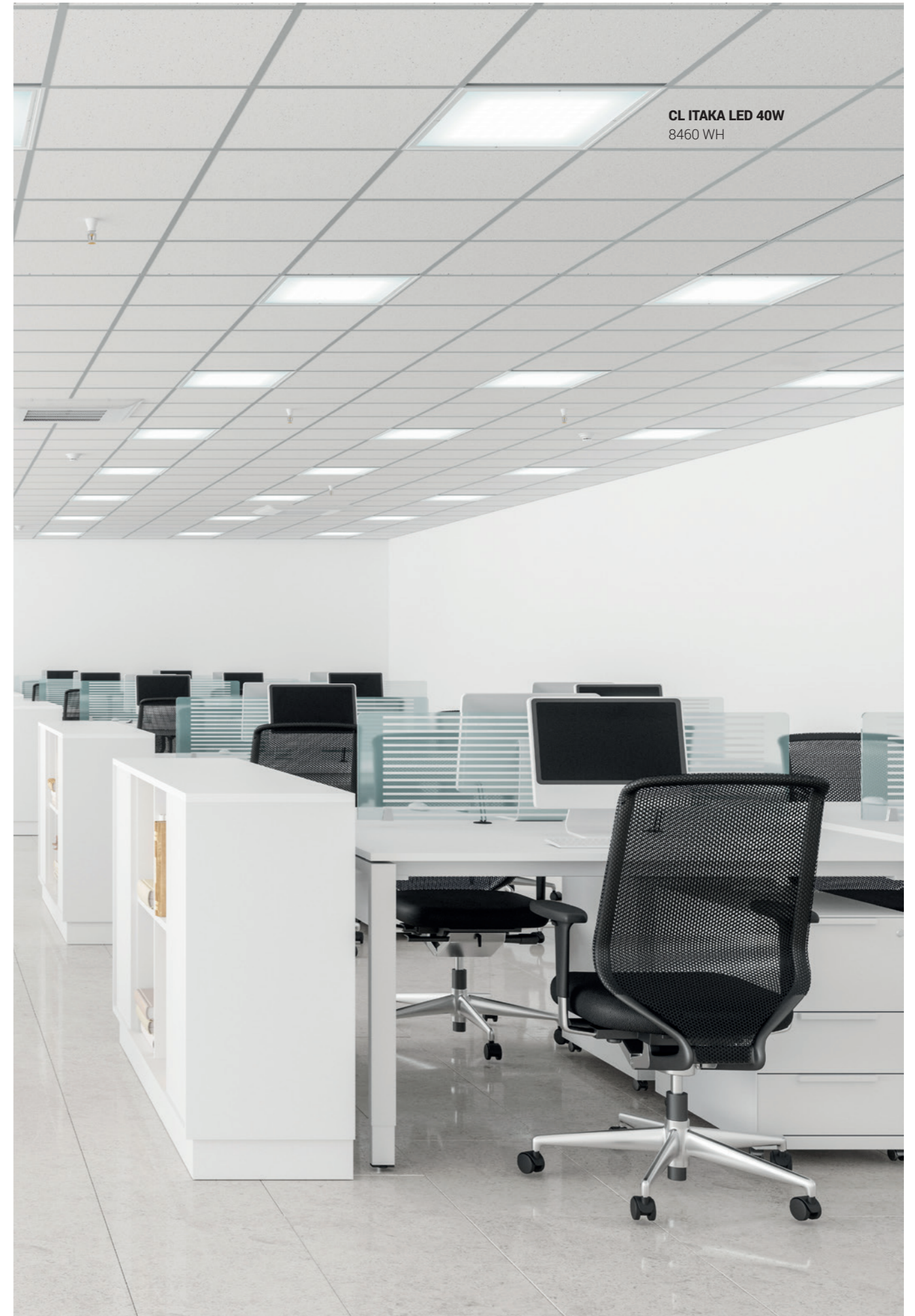
- Dostępna w dwóch temperaturach barwowych: 3000K i 4000K
- Oprawa posiada soczewkowy układ optyczny zapewniający równomierny rozkład luminancji na powierzchni panelu.
- LED-y świecące przez dyfuzor pozwalają uzyskać wysoką skuteczność świetlną oprawy, 100lm/W
- Trzy sposoby montażu
- Żywotność: min. 50.000 godzin
- 5 lat gwarancji

ITAKA LED range features:

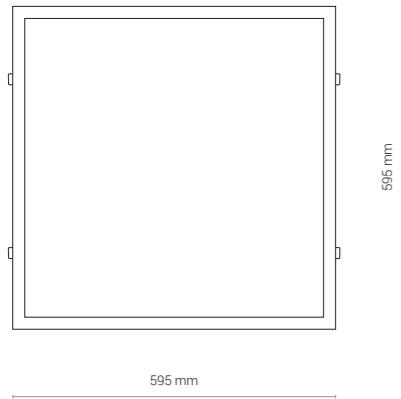
- Available in two colour temperatures: 3000K and 4000K
- The fixture has a lenticular optical system ensuring even distribution of luminance on the panel's surface
- LEDs shining through the diffuser allow to obtain high luminous efficiency of the luminaire, 100lm/W
- Three ways of mounting
- 50000h min. lifetime
- 5-year warranty

Особенности ассортимента ИТАКА LED:

- Доступно в двух цветовых температурах: 3000K или 4000K
- Светильник имеет линзованную оптическую систему, что дает равномерное распределение света на поверхности панели
- Светодиод, светящийся через диффузор, позволяет получить высокую световую эффективность свечения, 100lm/W
- Три метода монтажа
- Срок эксплуатации мин. 50 000 ч
- 5-летняя гарантия

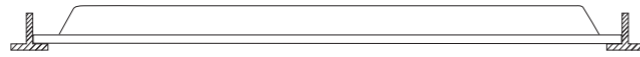


CL ITAKA LED 40W



Sposoby montażu / Installation methods / Методы монтажа

1. Grawitacyjny w suficie kasetonowym 600x600 mm
1. Gravity mounting in coffered ceiling 600 mm x 600 mm
1. Встраиваемый монтаж в кассонный потолок 600x600 мм



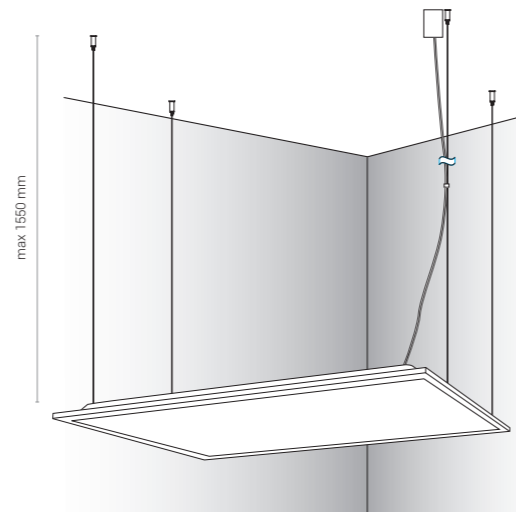
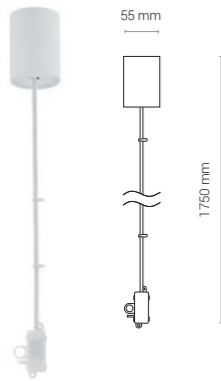
2. Mocowanie za pomocą sprężyn w suficie podwieszanym
2. Spring mounting in suspended ceiling
2. Встраиваемый монтаж с фиксацией пружин к потолку



sprężyny w zestawie
springs included
Пружины в комплекте

cut out 570 mm

3. Zwieszenie na linkach stalowych
3. Suspended on steel wires
3. Подвеска на стальных тросах



CL ITAKA POWER SUPPLY KIT

przewód, stal lakierowana / wire, painted steel / проволока, лакированная сталь

8280 ○ WH



CL ITAKA SUSPENSION KIT

stal / steel / сталь

8314 ○ SI

CL ITAKA LED 40W, 100°

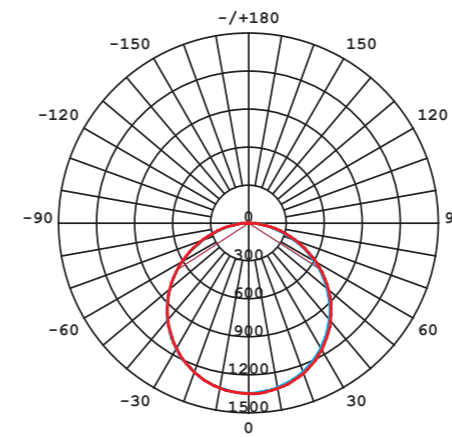
stal lakierowana, PC / painted steel, PC / лакированная сталь, PC

8460 ○ WH - 3000K

8456 ○ WH - 4000K

Item No.	POWER	COLOUR TEMP.	LUMEN	BEAM ANGLE	CRI	IP	LIFETIME	WARRANTY
8460	40W	3000K	4200	100°	≥80	20	50000h	5 YEARS
8456	40W	4000K	4200	100°	≥80	20	50000h	5 YEARS

LUMINOUS INTENSITY DISTRIBUTION DIAGRAM



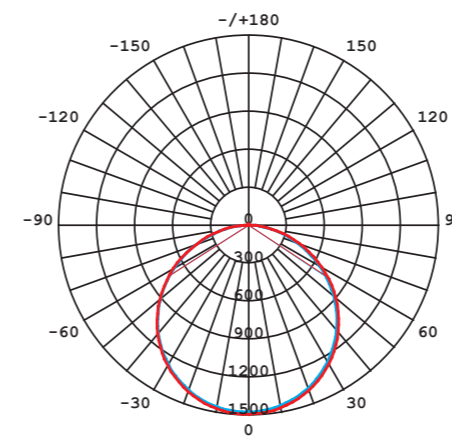
Luminous intensity [cd]
C0-C180 —
C90-C270 —

Beam cone diagram
Beam angle 100°

Distance [m]	Illuminance [lx]	Diameter [m]
1 m	1348	3,05
2 m	337	6,11
3 m	150	9,16
4 m	84	12,22
5 m	54	15,27
6 m	37	18,33
7 m	28	21,38

8460, 40W, 3000K, beam angle 100°

LUMINOUS INTENSITY DISTRIBUTION DIAGRAM



Luminous intensity [cd]
C0-C180 —
C90-C270 —

Beam cone diagram
Beam angle 100°

Distance [m]	Illuminance [lx]	Diameter [m]
1 m	1493	3,03
2 m	373	6,06
3 m	166	9,09
4 m	93	12,12
5 m	60	15,16
6 m	41	18,19
7 m	30	21,22

8456, 40W, 4000K, beam angle 100°



CL KEA LED 40W
8768 WH

COMMERCIAL LIGHTING (CL) KEA LED



CL KEA LED 20W



CL KEA LED 30W



CL KEA LED 40W



KEA LED właściwości:

- Dostępna w trzech opcjach mocy: 20W, 30W, 40W
- Dostępna w dwóch temperaturach barwowych: 3000K i 4000K
- Głęboko osadzone źródło światła oraz specjalna konstrukcja dyfuzora, efektywnie eliminuje olśnienie przykre UGR <19
- Współczynnik oddawania barw CRI ≥ 90
- IP 44 / IP 20
- Moduł LED SAMSUNG, zasilacz OSRAM
- Żywotność: min. 50.000 godzin
- 5 lat gwarancji

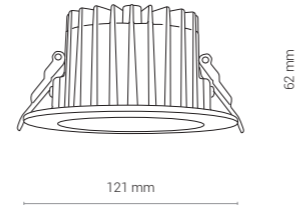
KEA LED range features:

- Available in three power options: 20W, 30W, 40W
- Available in two colour temperatures: 3000K and 4000K
- Deep anti-glare structure design UGR <19
- IP 44 / IP 20
- Colour Rendering Index (CRI) ≥ 90
- SAMSUNG LED module, OSRAM driver inside
- 50000h min. lifetime
- 5-year warranty

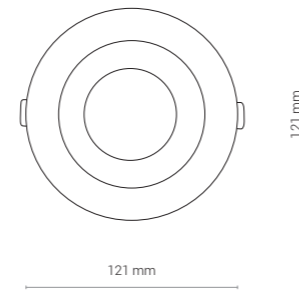
Особенности ассортимента KEA LED:

- Доступно в трех вариантах мощности: 20W, 30W или 40W
- Доступно в двух цветовых температурах: 3000K или 4000K
- Глубоко встроенный источник света и специальный дизайн диффузора, эффективно устраняет неприятные блики UGR <19
- IP 44/IP 20
- Индекс цветопередачи (CRI) ≥ 90
- Модуль LED SAMSUNG, драйвер от OSRAM
- Срок эксплуатации мин. 50 000 ч
- 5-летняя гарантия

CL KEA LED 20W



cut out \varnothing 95 mm

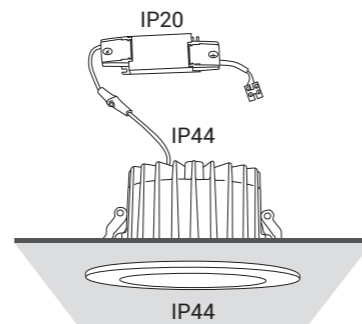


CL KEA LED 20W

aluminium, PC / aluminum, PC / алюминий, PC

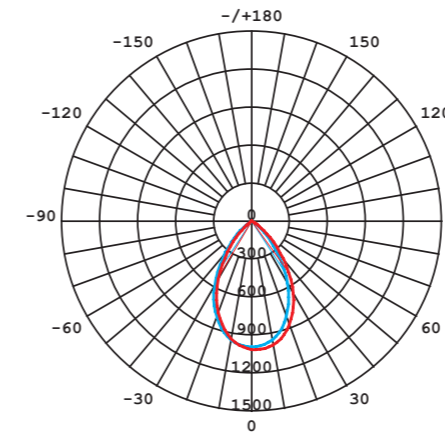
8773 WH - 3000K

8772 WH - 4000K



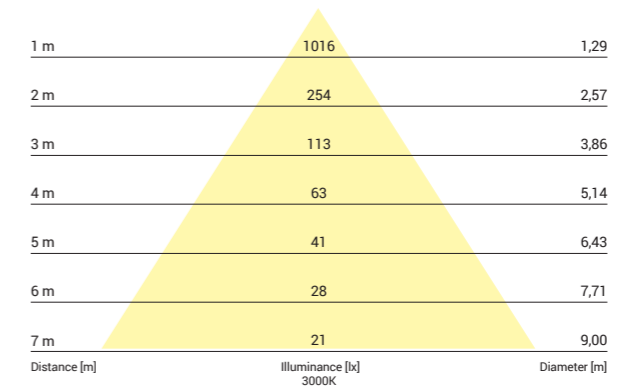
Item No.	POWER	COLOUR TEMP.	LUMEN	BEAM ANGLE	CRI	IP	LED BRAND	DRIVER BRAND	LIFETIME	WARRANTY
8773	20W	3000K	1150	65°	≥90	44 / 20	SAMSUNG	OSRAM	50000h	5 YEARS
8772	20W	4000K	1150	65°	≥90	44 / 20	SAMSUNG	OSRAM	50000h	5 YEARS

LUMINOUS INTENSITY DISTRIBUTION DIAGRAM



Luminous intensity [cd]
C0-C180 — red line
C90-C270 — blue line

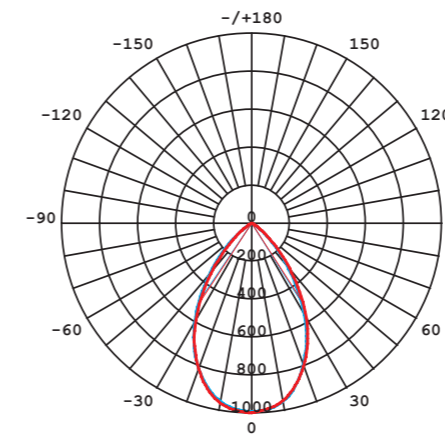
Beam cone diagram
Beam angle 65°



8773, 20W, 3000K, beam angle 65°

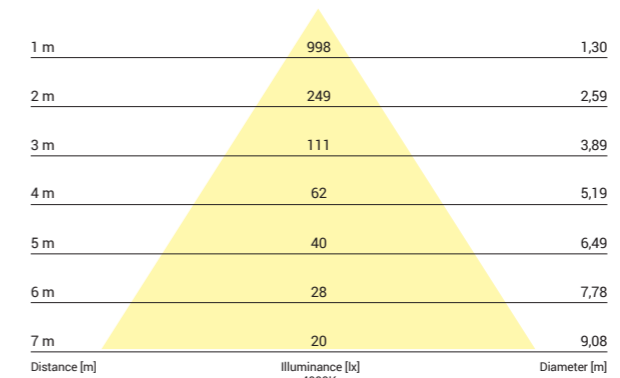


LUMINOUS INTENSITY DISTRIBUTION DIAGRAM



Luminous intensity [cd]
C0-C180 — red line
C90-C270 — blue line

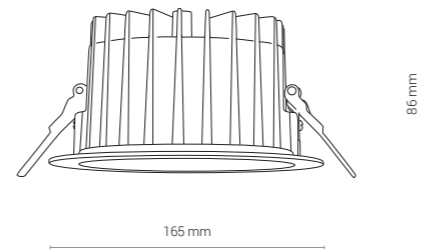
Beam cone diagram
Beam angle 65°



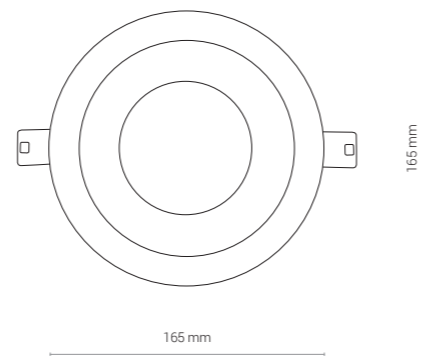
8772, 20W, 4000K, beam angle 65°



CL KEA LED 30W



cut out \varnothing 140 mm

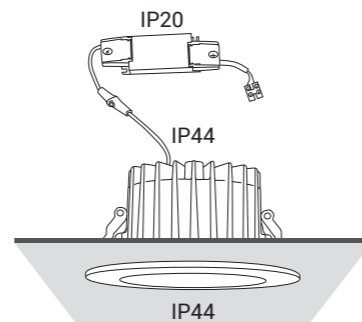


CL KEA LED 30W

aluminium, PC / aluminum, PC / алюминий, PC

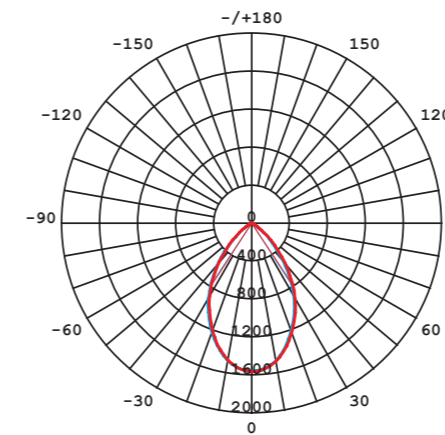
8771 WH - 3000K

8770 WH - 4000K



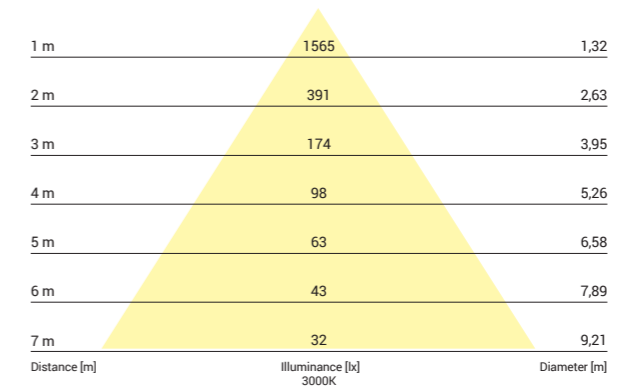
Item No.	POWER	COLOUR TEMP.	LUMEN	BEAM ANGLE	CRI	IP	LED BRAND	DRIVER BRAND	LIFETIME	WARRANTY
8771	30W	3000K	1850	65°	≥90	44 / 20	SAMSUNG	OSRAM	50000h	5 YEARS
8770	30W	4000K	1850	65°	≥90	44 / 20	SAMSUNG	OSRAM	50000h	5 YEARS

LUMINOUS INTENSITY DISTRIBUTION DIAGRAM



Luminous intensity [cd]
C0-C180 ———
C90-C270 ———

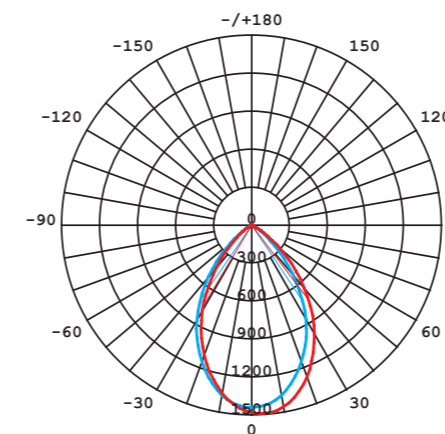
Beam cone diagram
Beam angle 65°



8771, 30W, 3000K, beam angle 65°

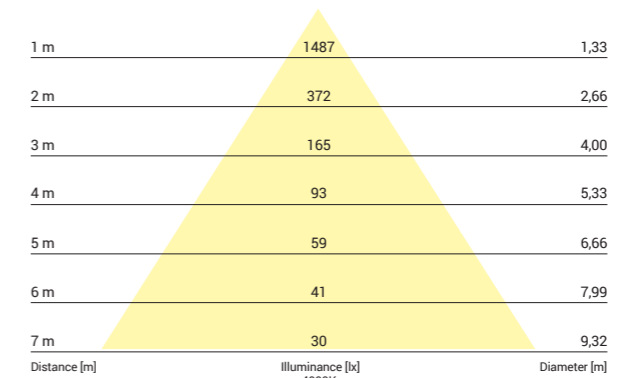


LUMINOUS INTENSITY DISTRIBUTION DIAGRAM



Luminous intensity [cd]
C0-C180 ———
C90-C270 ———

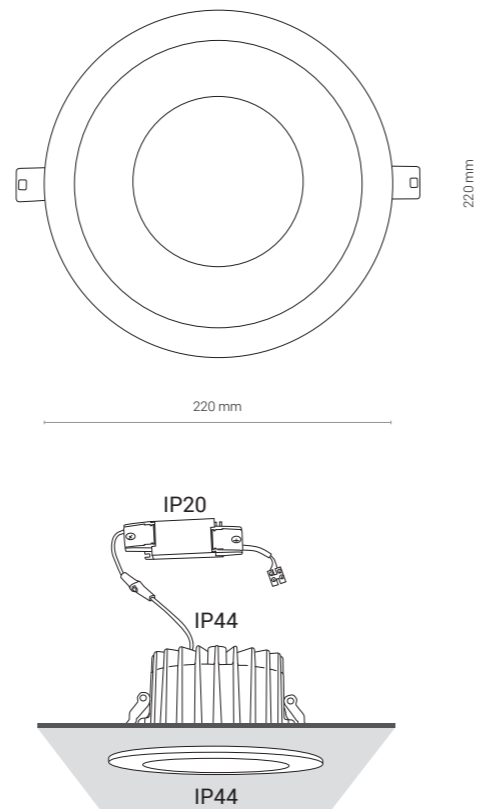
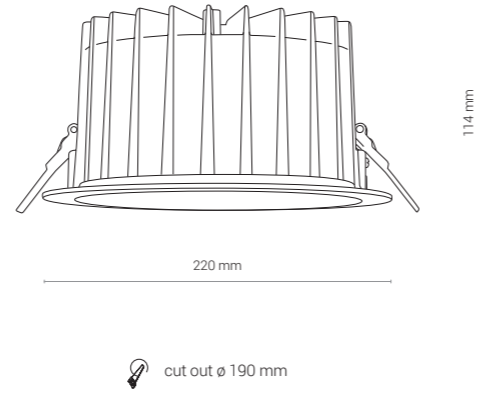
Beam cone diagram
Beam angle 65°



8770, 30W, 4000K, beam angle 65°



CL KEA LED 40W



CL KEA LED 40W

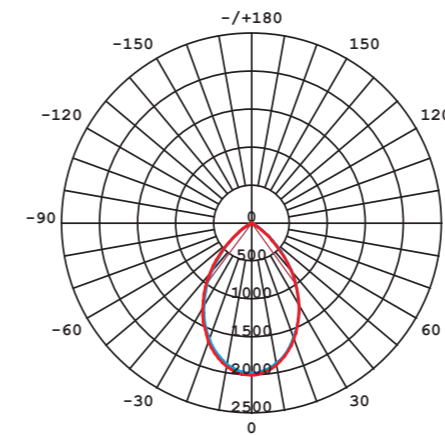
aluminium, PC / aluminum, PC / алюминий, PC

8768 ○ WH - 3000K

8767 ○ WH - 4000K

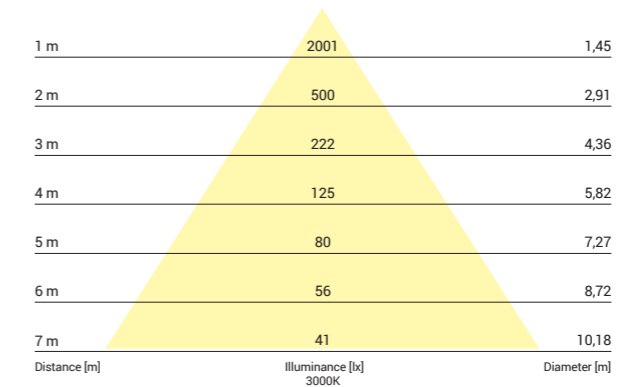
Item No.	POWER	COLOUR TEMP.	LUMEN	BEAM ANGLE	CRI	IP	LED BRAND	DRIVER BRAND	LIFETIME	WARRANTY
8768	40W	3000K	2700	65°	≥90	44 / 20	SAMSUNG	OSRAM	50000h	5 YEARS
8767	40W	4000K	2700	65°	≥90	44 / 20	SAMSUNG	OSRAM	50000h	5 YEARS

LUMINOUS INTENSITY DISTRIBUTION DIAGRAM



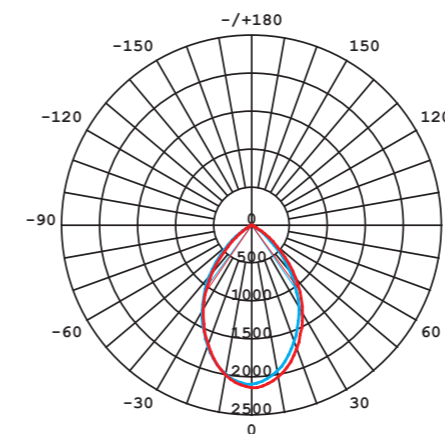
Luminous intensity [cd]
C0-C180 —
C90-C270 —

Beam cone diagram
Beam angle 65°



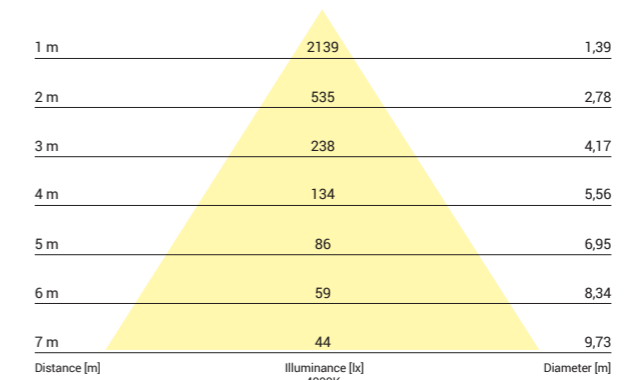
8768, 40W, 3000K, beam angle 65°

LUMINOUS INTENSITY DISTRIBUTION DIAGRAM



Luminous intensity [cd]
C0-C180 —
C90-C270 —

Beam cone diagram
Beam angle 65°



8767, 40W, 4000K, beam angle 65°



CL DIA LED 30W
8718 WH/BL

COMMERCIAL LIGHTING (CL) DIA LED



CL DIA LED 18W

CL DIA LED 30W



DIA LED właściwości:

- Dostępna w dwóch opcjach mocy: 18W, 30W
- Dostępna w dwóch temperaturach barwowych: 3000K i 4000K
- Możliwość regulacji o 25° w pionie oraz obrócenia o 350° w poziomie
- Współczynnik oddawania barw CRI ≥ 90
- Moduł LED CREE, zasilacz OSRAM
- Żywotność: min. 50.000 godzin
- 5 lat gwarancji

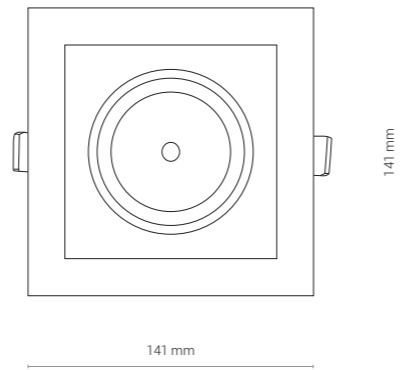
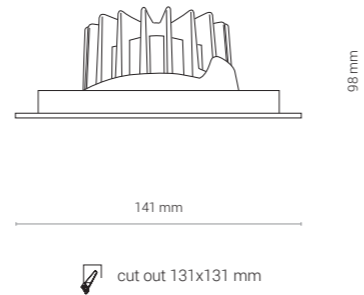
DIA LED range features:

- Available in two power options: 18W, 30W
- Available in two colour temperatures: 3000K and 4000K
- Tilts 25° and rotates 350°
- Colour Rendering Index (CRI) ≥ 90
- CREE LED module, OSRAM driver inside
- 50000h min. lifetime
- 5-year warranty

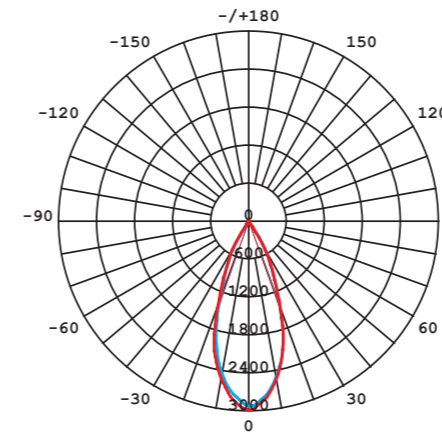
Особенности ассортимента DIA LED:

- Доступно в двух вариантах мощности: 18W или 30W
- Доступно в двух цветовых температурах: 3000K или 4000K
- Угол наклона 25° вертикально и поворот 350° по горизонтали
- Индекс цветопередачи (CRI) ≥ 90
- Модуль LED CREE, драйвер от OSRAM
- Срок эксплуатации мин. 50 000 ч
- 5-летняя гарантия

CL DIA LED 18W



LUMINOUS INTENSITY DISTRIBUTION DIAGRAM



Luminous intensity [cd]
 C0-C180 — (red line)
 C90-C270 — (blue line)

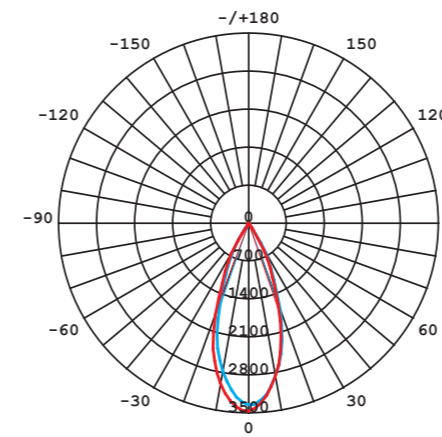


Beam cone diagram
 Beam angle 40°

Distance [m]	Illuminance [lx] 3000K	Diameter [m]
1 m	2984	0,71
2 m	746	1,42
3 m	332	2,13
4 m	187	2,84
5 m	119	3,55
6 m	83	4,26
7 m	61	4,98

8722, 18W, 3000K, beam angle 40°

LUMINOUS INTENSITY DISTRIBUTION DIAGRAM



Luminous intensity [cd]
 C0-C180 — (red line)
 C90-C270 — (blue line)



Beam cone diagram
 Beam angle 40°

Distance [m]	Illuminance [lx] 4000K	Diameter [m]
1 m	3462	0,70
2 m	866	1,40
3 m	385	2,10
4 m	216	2,80
5 m	139	3,50
6 m	96	4,20
7 m	71	4,90

8721, 18W, 4000K, beam angle 40°

CL DIA LED 18W

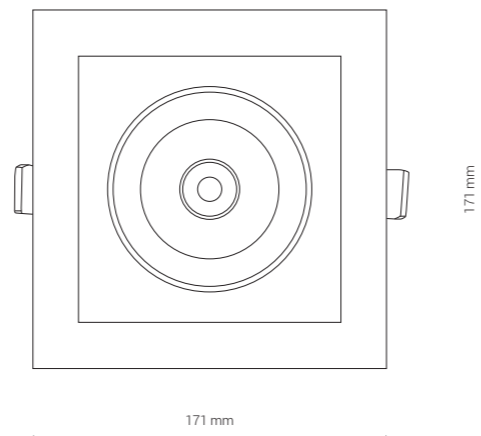
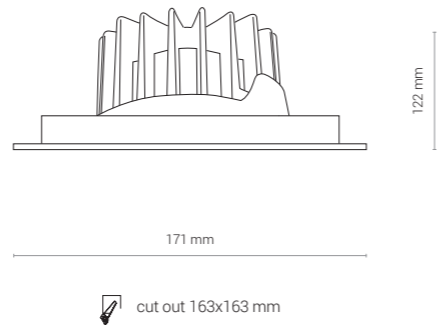
aluminium, stal lakierowana / aluminum, painted steel /
 алюминий, лакированная сталь

8722 ● WH / BL - 3000K

8721 ● WH / BL - 4000K

Item No.	POWER	COLOUR TEMP.	LUMEN	BEAM ANGLE	CRI	IP	LED BRAND	DRIVER BRAND	LIFETIME	WARRANTY
8722	18W	3000K	1500	40°	≥90	20	CREE	OSRAM	50000h	5 YEARS
8721	18W	4000K	1500	40°	≥90	20	CREE	OSRAM	50000h	5 YEARS

CL DIA LED 30W



CL DIA LED 30W

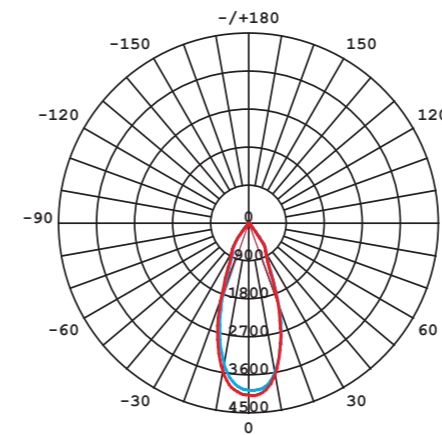
aluminium, stal lakierowana / aluminum, painted steel / алюминий, лакированная сталь

8720 WH / BL - 3000K

8718 WH / BL - 4000K

Item No.	POWER	COLOUR TEMP.	LUMEN	BEAM ANGLE	CRI	IP	LED BRAND	DRIVER BRAND	LIFETIME	WARRANTY
8720	30W	3000K	2250	40°	≥90	20	CREE	OSRAM	50000h	5 YEARS
8718	30W	4000K	2250	40°	≥90	20	CREE	OSRAM	50000h	5 YEARS

LUMINOUS INTENSITY DISTRIBUTION DIAGRAM



Luminous intensity [cd]
C0-C180
C90-C270

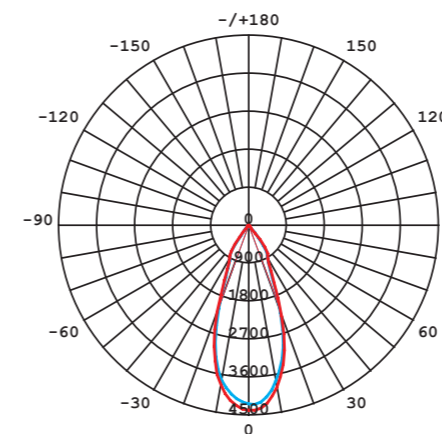
Beam cone diagram Beam angle 40°

Distance [m]	Illuminance [lx] 3000K	Diameter [m]
1 m	4077	0,70
2 m	1019	1,41
3 m	453	2,11
4 m	255	2,82
5 m	163	3,52
6 m	113	4,23
7 m	83	4,93

8720, 30W, 3000K, beam angle 40°



LUMINOUS INTENSITY DISTRIBUTION DIAGRAM



Luminous intensity [cd]
C0-C180
C90-C270

Beam cone diagram Beam angle 40°

Distance [m]	Illuminance [lx] 4000K	Diameter [m]
1 m	4388	0,72
2 m	1097	1,44
3 m	488	2,16
4 m	274	2,88
5 m	176	3,60
6 m	122	4,32
7 m	90	5,05

8718, 30W, 4000K, beam angle 40°





CTLS NEA LED 20W
8757 WH

CL IOS LED 30W
8735 WH

COMMERCIAL LIGHTING (CL) IOS LED



CL IOS LED 20W



CL IOS LED 30W



CL IOS LED 40W

IOS LED właściwości:

- Dostępna w trzech opcjach mocy: 20W, 30W, 40W
- Dostępna w dwóch temperaturach barwowych: 3000K i 4000K
- Współczynnik oddawania barw CRI \geq 90
- Moduł LED BRIGHTLUX, zasilacz OSRAM
- Żywotność: min. 50.000 godzin
- 5 lat gwarancji

IOS LED range features:

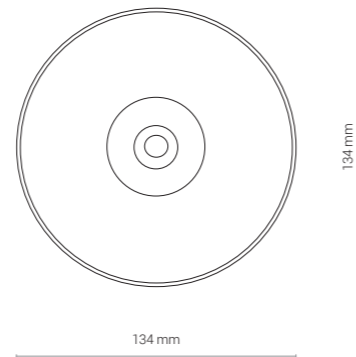
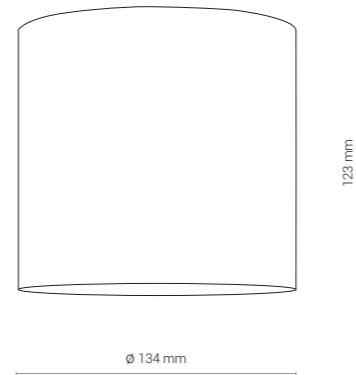
- Available in three power options: 20W, 30W, 40W
- Available in two colour temperatures: 3000K and 4000K
- Colour Rendering Index (CRI) \geq 90
- BRIGHTLUX LED module, OSRAM driver inside
- 50000h min. lifetime
- 5 years warranty

Особенности ассортимента IOS LED:

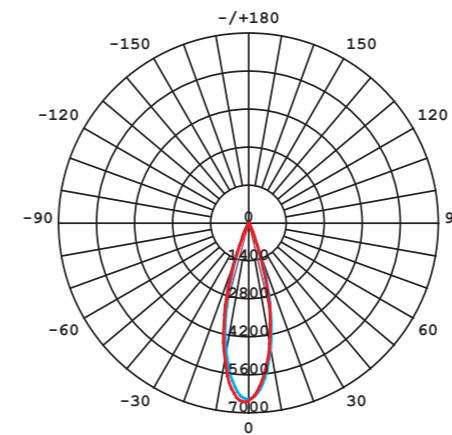
- Доступно в трех вариантах мощности: 20W, 30W или 40W
- Доступно в двух цветовых температурах: 3000K или 4000K
- Индекс цветопередачи (CRI) \geq 90
- Модуль LED BRIGHTLUX, драйвер от OSRAM
- Срок эксплуатации мин. 50 000 ч
- 5-летняя гарантия



CL IOS LED 20W

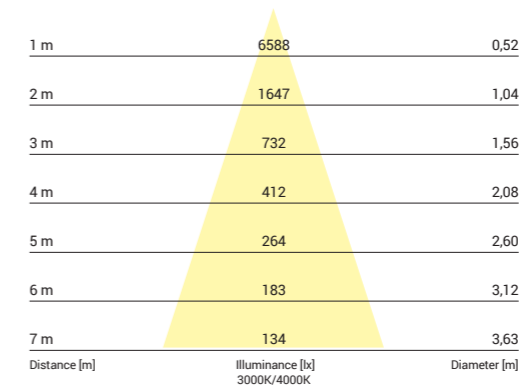


LUMINOUS INTENSITY DISTRIBUTION DIAGRAM



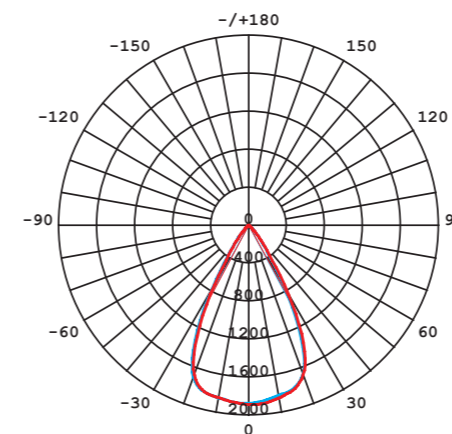
Luminous intensity [cd]
C0-C180 —
C90-C270 —

Beam cone diagram
Beam angle 36°



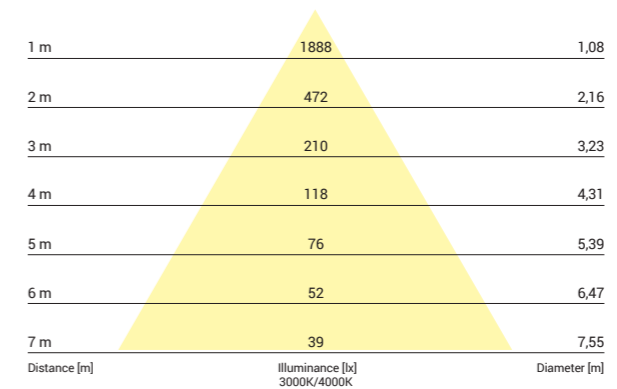
8736, 8737, 8738, 8740, 20W, 3000K, 4000K, beam angle 36°

LUMINOUS INTENSITY DISTRIBUTION DIAGRAM



Luminous intensity [cd]
C0-C180 —
C90-C270 —

Beam cone diagram
Beam angle 60°



8741, 8742, 8743, 8744, 20W, 3000K, 4000K, beam angle 60°

CL IOS LED 20W, 36°

aluminium / aluminum / алюминий

- 8740 ○ WH - 3000K 8737 ● BL - 3000K
8738 ○ WH - 4000K 8736 ● BL - 4000K

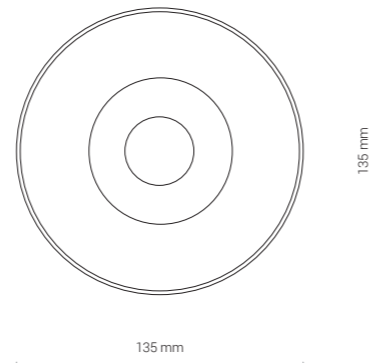
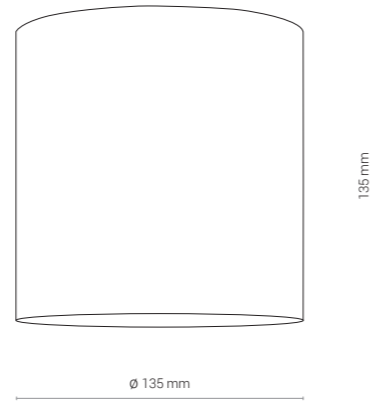
CL IOS LED 20W, 60°

aluminium / aluminum / алюминий

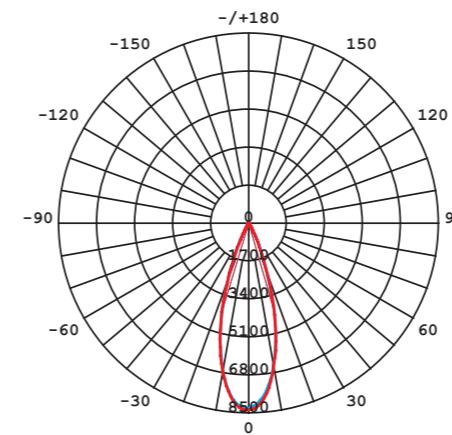
- 8744 ○ WH - 3000K 8742 ● BL - 3000K
8743 ○ WH - 4000K 8741 ● BL - 4000K

Item No.	POWER	COLOUR TEMP.	LUMEN	BEAM ANGLE	CRI	IP	LED BRAND	DRIVER BRAND	LIFETIME	WARRANTY
8744	20W	3000K	1600	60°	≥90	20	BRIGHTLUX	OSRAM	50000h	5 YEARS
8743	20W	4000K	1600	60°	≥90	20	BRIGHTLUX	OSRAM	50000h	5 YEARS
8742	20W	3000K	1600	60°	≥90	20	BRIGHTLUX	OSRAM	50000h	5 YEARS
8741	20W	4000K	1600	60°	≥90	20	BRIGHTLUX	OSRAM	50000h	5 YEARS
8740	20W	3000K	1600	36°	≥90	20	BRIGHTLUX	OSRAM	50000h	5 YEARS
8738	20W	4000K	1600	36°	≥90	20	BRIGHTLUX	OSRAM	50000h	5 YEARS
8737	20W	3000K	1600	36°	≥90	20	BRIGHTLUX	OSRAM	50000h	5 YEARS
8736	20W	4000K	1600	36°	≥90	20	BRIGHTLUX	OSRAM	50000h	5 YEARS

CL IOS LED 30W

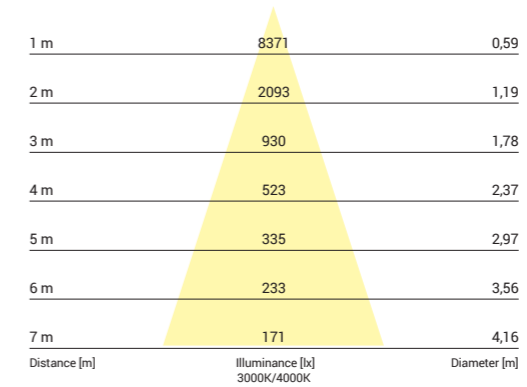


LUMINOUS INTENSITY DISTRIBUTION DIAGRAM



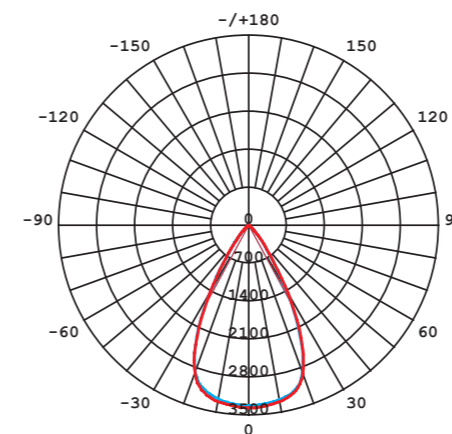
Luminous intensity [cd]
C0-C180 ———
C90-C270 ———

Beam cone diagram
Beam angle 36°



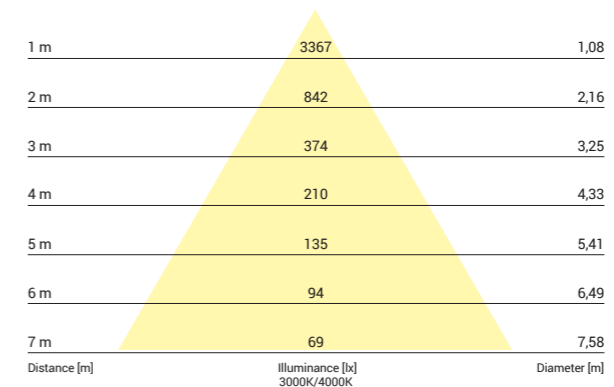
8727, 8728, 8730, 8731, 30W, 3000K, 4000K, beam angle 36°

LUMINOUS INTENSITY DISTRIBUTION DIAGRAM



Luminous intensity [cd]
C0-C180 ———
C90-C270 ———

Beam cone diagram
Beam angle 60°



8732, 8733, 8734, 8735, 30W, 3000K, 4000K, beam angle 60°

CL IOS LED 30W, 36°

aluminium / aluminum / алюминий

- 8731 ○ WH - 3000K 8728 ● BL - 3000K
8730 ○ WH - 4000K 8727 ● BL - 4000K

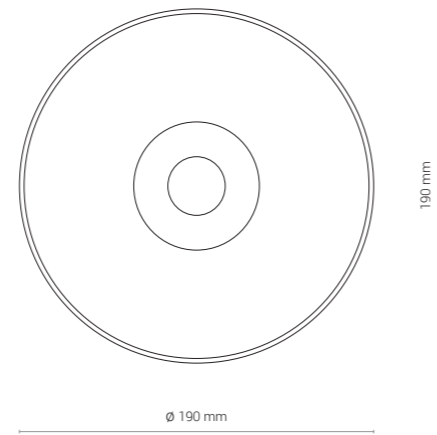
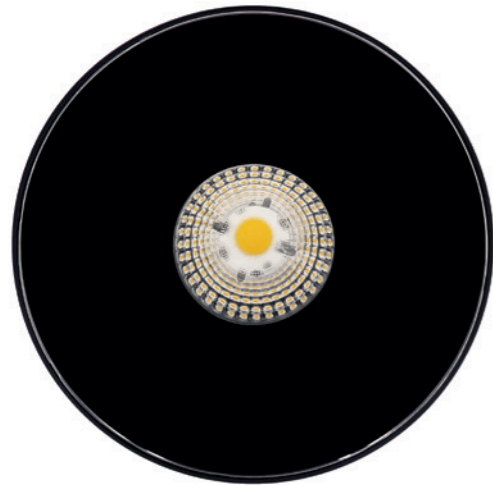
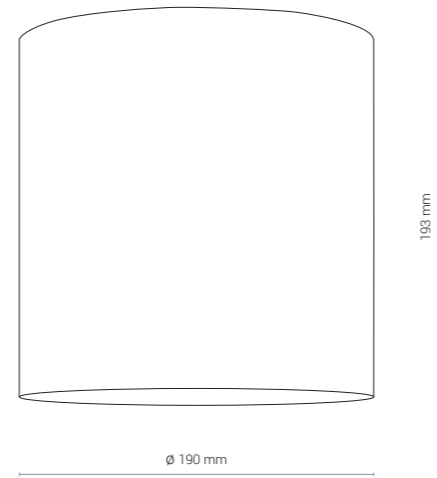
CL IOS LED 30W, 60°

aluminium / aluminum / алюминий

- 8735 ○ WH - 3000K 8733 ● BL - 3000K
8734 ○ WH - 4000K 8732 ● BL - 4000K

Item No.	POWER	COLOUR TEMP.	LUMEN	BEAM ANGLE	CRI	IP	LED BRAND	DRIVER BRAND	LIFETIME	WARRANTY
8735	30W	3000K	2700	60°	≥90	20	BRIGHTLUX	OSRAM	50000h	5 YEARS
8734	30W	4000K	2700	60°	≥90	20	BRIGHTLUX	OSRAM	50000h	5 YEARS
8733	30W	3000K	2700	60°	≥90	20	BRIGHTLUX	OSRAM	50000h	5 YEARS
8732	30W	4000K	2700	60°	≥90	20	BRIGHTLUX	OSRAM	50000h	5 YEARS
8731	30W	3000K	2700	36°	≥90	20	BRIGHTLUX	OSRAM	50000h	5 YEARS
8730	30W	4000K	2700	36°	≥90	20	BRIGHTLUX	OSRAM	50000h	5 YEARS
8728	30W	3000K	2700	36°	≥90	20	BRIGHTLUX	OSRAM	50000h	5 YEARS
8727	30W	4000K	2700	36°	≥90	20	BRIGHTLUX	OSRAM	50000h	5 YEARS

CL IOS LED 40W



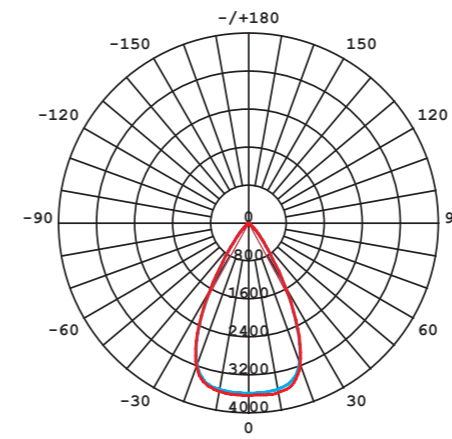
CL IOS LED 40W, 60°

aluminium / aluminum / алюминий

- 8726 ○ WH - 3000K 8724 ● BL - 3000K
- 8725 ○ WH - 4000K 8723 ● BL - 4000K

Item No.	POWER	COLOUR TEMP.	LUMEN	BEAM ANGLE	CRI	IP	LED BRAND	DRIVER BRAND	LIFETIME	WARRANTY
8726	40W	3000K	3200	60°	≥90	20	BRIGHTLUX	OSRAM	50000h	5 YEARS
8725	40W	4000K	3200	60°	≥90	20	BRIGHTLUX	OSRAM	50000h	5 YEARS
8724	40W	3000K	3200	60°	≥90	20	BRIGHTLUX	OSRAM	50000h	5 YEARS
8723	40W	4000K	3200	60°	≥90	20	BRIGHTLUX	OSRAM	50000h	5 YEARS

LUMINOUS INTENSITY DISTRIBUTION DIAGRAM



Luminous intensity [cd]
 C0-C180 — (red line)
 C90-C270 — (blue line)

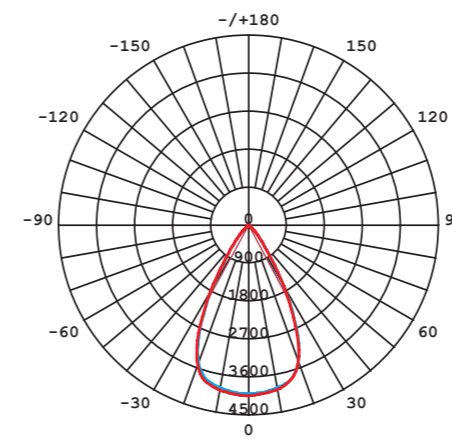


Beam cone diagram
 Beam angle 60°

Distance [m]	Illuminance [lx] 3000K	Diameter [m]
1 m	3630	1,04
2 m	907	2,08
3 m	403	3,12
4 m	227	4,15
5 m	145	5,19
6 m	101	6,23
7 m	74	7,27

8724, 8726, 40W, 3000K, beam angle 60°

LUMINOUS INTENSITY DISTRIBUTION DIAGRAM



Luminous intensity [cd]
 C0-C180 — (red line)
 C90-C270 — (blue line)



Beam cone diagram
 Beam angle 60°

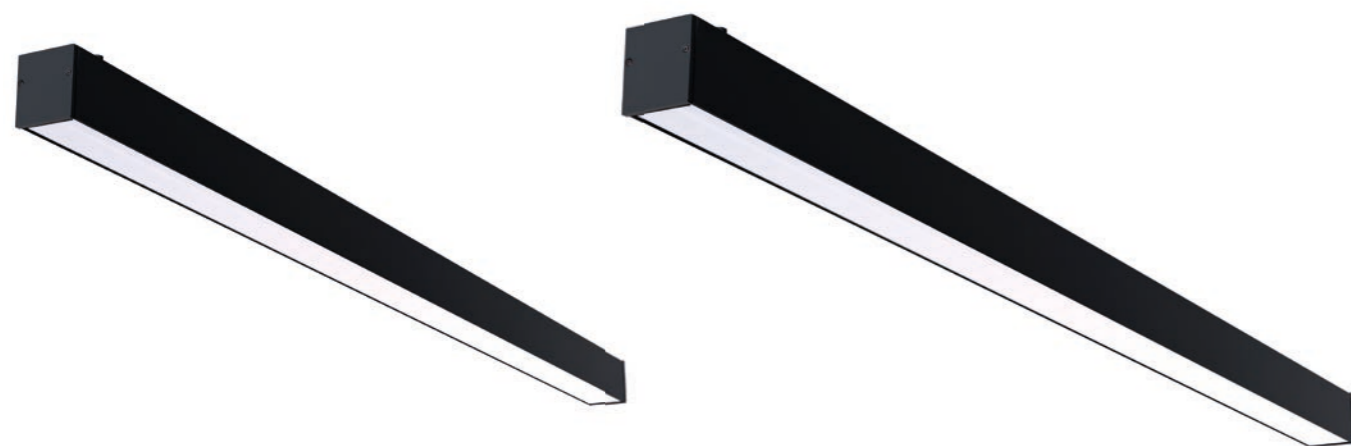
Distance [m]	Illuminance [lx] 4000K	Diameter [m]
1 m	4037	1,09
2 m	1009	2,18
3 m	449	3,27
4 m	252	4,35
5 m	162	5,44
6 m	112	6,53
7 m	82	7,62

8723, 8725, 40W, 4000K, beam angle 60°



CL OFFICE PRO LED 150, 40W
8292 WH

COMMERCIAL LIGHTING (CL) OFFICE PRO LED



CL OFFICE PRO LED 120, 31W

CL OFFICE PRO LED 150, 40W

OFFICE LED PRO właściwości:

- Dostępna w dwóch opcjach mocy i dwóch długościach: 120cm - 31W, 150cm - 40W
- Dostępna w dwóch temperaturach barwowych: 3000K i 4000K
- IP 52
- Moduł LED PHILIPS, zasilacz PHILIPS
- Żywotność: min. 50.000 godzin
- 5 lat gwarancji

OFFICE PRO LED range features:

- Available in two power and two length options: 120 cm, 31W; 150 cm, 40W
- Available in two colour temperatures: 3000K and 4000K
- IP 52
- PHILIPS LED module, PHILIPS driver inside
- 50000h min. lifetime
- 5 years warranty

Особенности ассортимента OFFICE PRO LED:

- Доступно в двух вариантах мощности и длины: 120 см - 31W или 150 см - 40W
- Доступно в двух цветовых температурах: 3000K или 4000K
- IP 52
- Модуль LED PHILIPS, драйвер от PHILIPS
- Срок эксплуатации мин. 50 000 ч
- 5-летняя гарантия



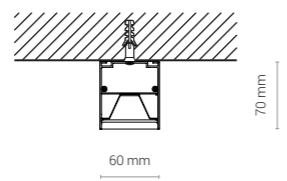
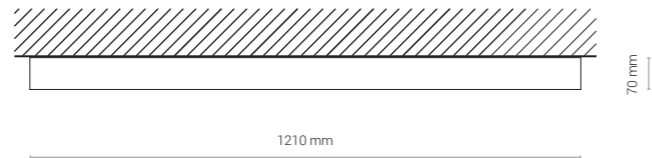
CL OFFICE PRO LED 120, 31W



CL OFFICE PRO LED 120, 31W

aluminium / aluminum / алюминий

- 8298 ○ WH - 3000K 8300 ● BL - 3000K
8296 ○ WH - 4000K 8297 ● BL - 4000K



CL OFFICE PRO / HALL PRO SUSPENSION KIT

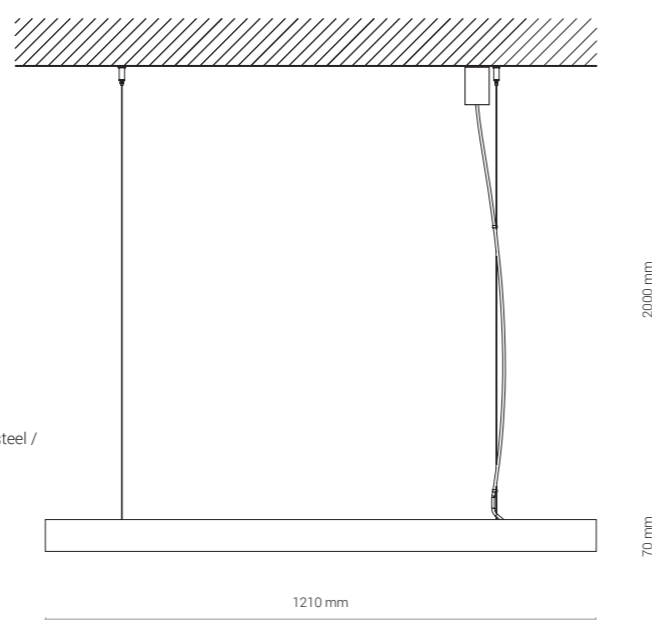
stal / steel / сталь

- 8291 ○ WH
8250 ● BL

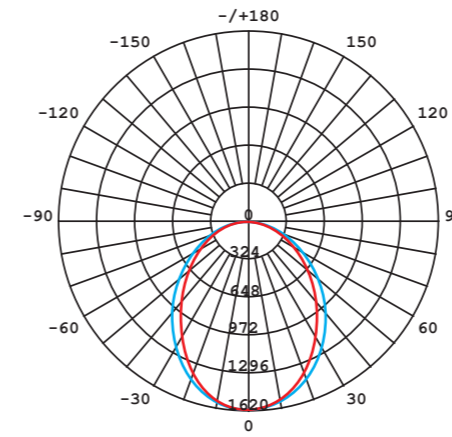
CL OFFICE PRO / HALL PRO POWER SUPPLY KIT

przewód, stal lakierowana / wire, painted steel / проволока, лакированная сталь

- 8290 ○ WH
8288 ● BL



LUMINOUS INTENSITY DISTRIBUTION DIAGRAM



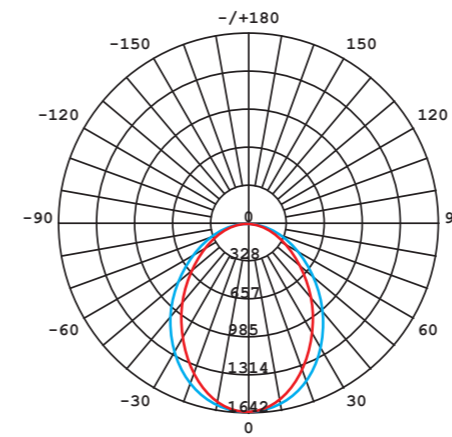
Luminous intensity [cd]
C0-C180 —
C90-C270 —

Beam cone diagram
Beam angle 90°

Distance [m]	Illuminance [lx] 3000K	Diameter [m]
1 m	1604	1,95
2 m	401	3,90
3 m	178	5,85
4 m	100	7,79
5 m	64	9,74
6 m	45	11,69
7 m	33	13,64

8298, 31W, 3000K, beam angle 90°

LUMINOUS INTENSITY DISTRIBUTION DIAGRAM



Luminous intensity [cd]
C0-C180 —
C90-C270 —

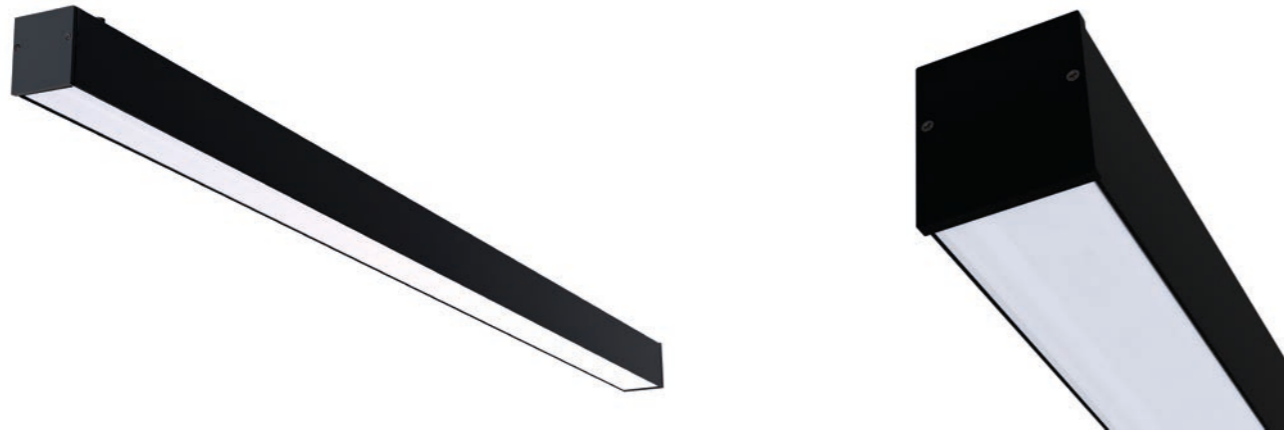
Beam cone diagram
Beam angle 90°

Distance [m]	Illuminance [lx] 4000K	Diameter [m]
1 m	1626	1,94
2 m	407	3,88
3 m	181	5,83
4 m	102	7,77
5 m	65	9,71
6 m	45	11,65
7 m	33	13,60

8297, 31W, 4000K, beam angle 90°

Item No.	POWER	COLOUR TEMP.	LUMEN	BEAM ANGLE	CRI	IP	LED BRAND	DRIVER BRAND	LIFETIME	WARRANTY
8298	31W	3000K	3760	90°	≥80	52	PHILIPS	PHILIPS	50000h	5 YEARS
8296	31W	4000K	4160	90°	≥80	52	PHILIPS	PHILIPS	50000h	5 YEARS
8300	31W	3000K	3490	90°	≥80	52	PHILIPS	PHILIPS	50000h	5 YEARS
8297	31W	4000K	3610	90°	≥80	52	PHILIPS	PHILIPS	50000h	5 YEARS

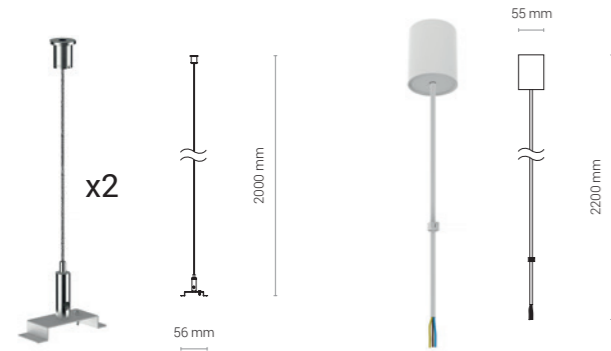
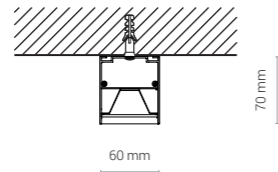
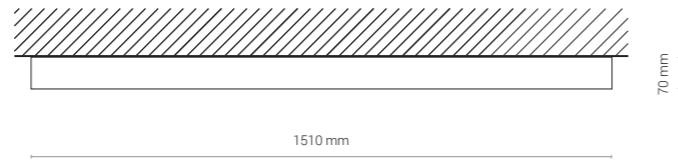
CL OFFICE PRO LED 150, 40W



CL OFFICE PRO LED 150, 40W

aluminium / aluminum / алюминий

- 8294 ○ WH - 3000K 8295 ● BL - 3000K
- 8292 ○ WH - 4000K 8293 ● BL - 4000K



CL OFFICE PRO / HALL PRO SUSPENSION KIT

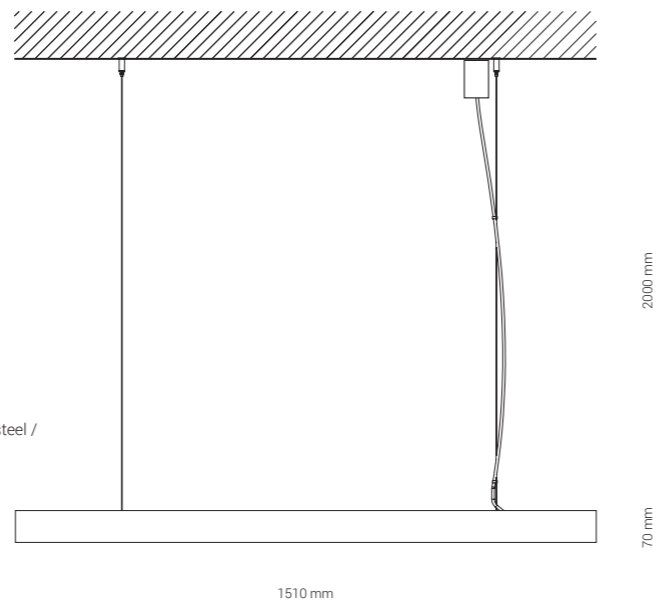
stal / steel / сталь

- 8291 ○ WH
- 8250 ● BL

CL OFFICE PRO / HALL PRO POWER SUPPLY KIT

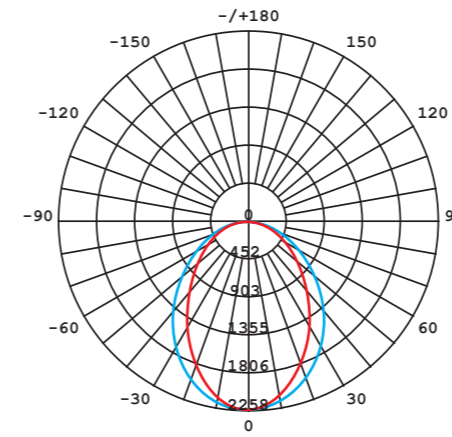
przewód, stal lakierowana / wire, painted steel / проволока, лакированная сталь

- 8290 ○ WH
- 8288 ● BL



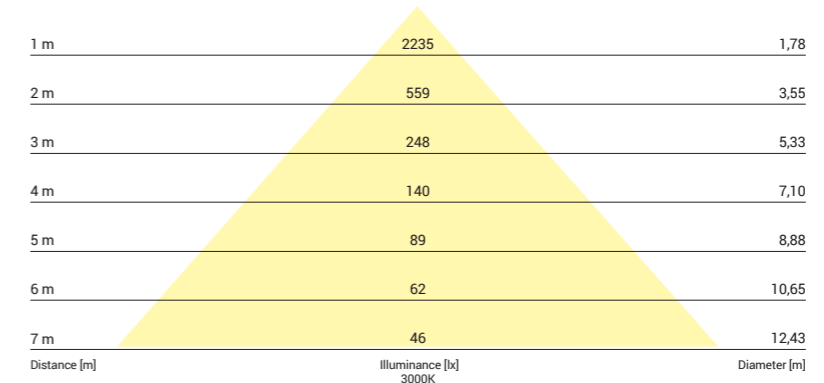
Item No.	POWER	COLOUR TEMP.	LUMEN	BEAM ANGLE	CRI	IP	LED BRAND	DRIVER BRAND	LIFETIME	WARRANTY
8294	40W	3000K	4820	86°	≥80	52	PHILIPS	PHILIPS	50000h	5 YEARS
8292	40W	4000K	5250	86°	≥80	52	PHILIPS	PHILIPS	50000h	5 YEARS
8295	40W	3000K	4540	83°	≥80	52	PHILIPS	PHILIPS	50000h	5 YEARS
8293	40W	4000K	4710	83°	≥80	52	PHILIPS	PHILIPS	50000h	5 YEARS

LUMINOUS INTENSITY DISTRIBUTION DIAGRAM



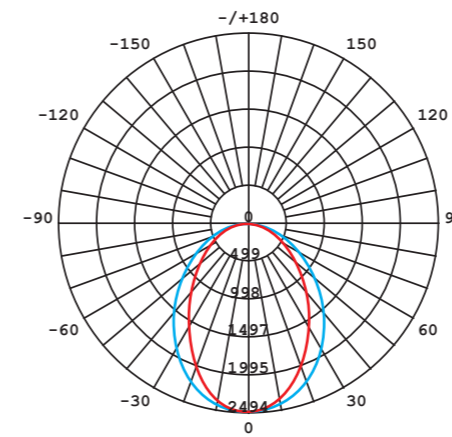
Luminous intensity [cd]
C0-C180 ————
C90-C270 ————

Beam cone diagram
Beam angle 83°



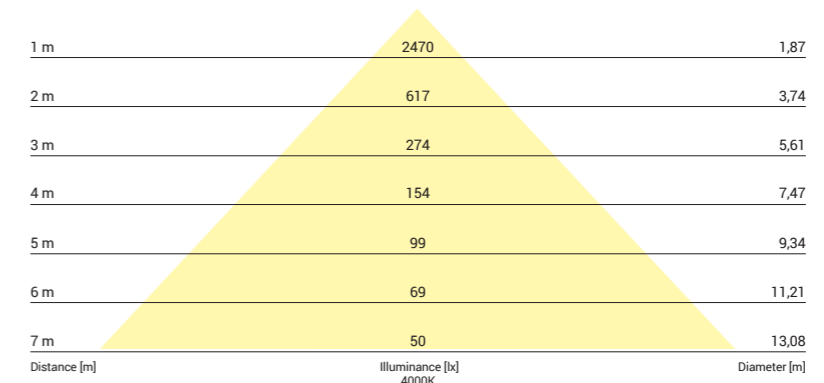
8295, 40W, 3000K, beam angle 83°

LUMINOUS INTENSITY DISTRIBUTION DIAGRAM



Luminous intensity [cd]
C0-C180 ————
C90-C270 ————

Beam cone diagram
Beam angle 86°



8292, 40W, 4000K, beam angle 86°

CL HALL PRO LED 150, 40W
8260 WH



CL HALL PRO LED 150, 40W

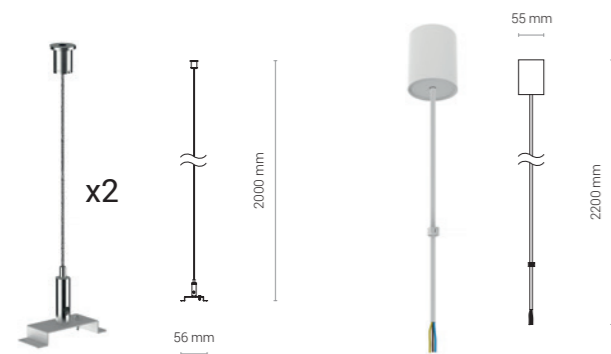
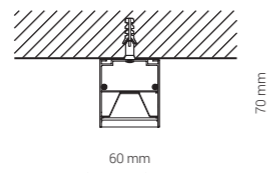
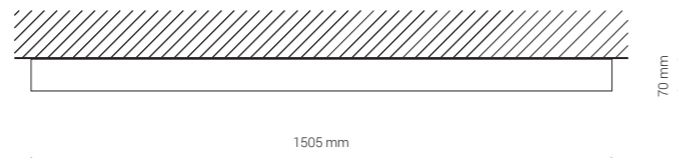


CL HALL PRO LED 150, 40W

aluminium / aluminum / алюминий

8260 ○ WH - 4000K

8261 ● BL - 4000K



CL OFFICE PRO / HALL PRO SUSPENSION KIT

stal / steel / сталь

8291 ○ WH

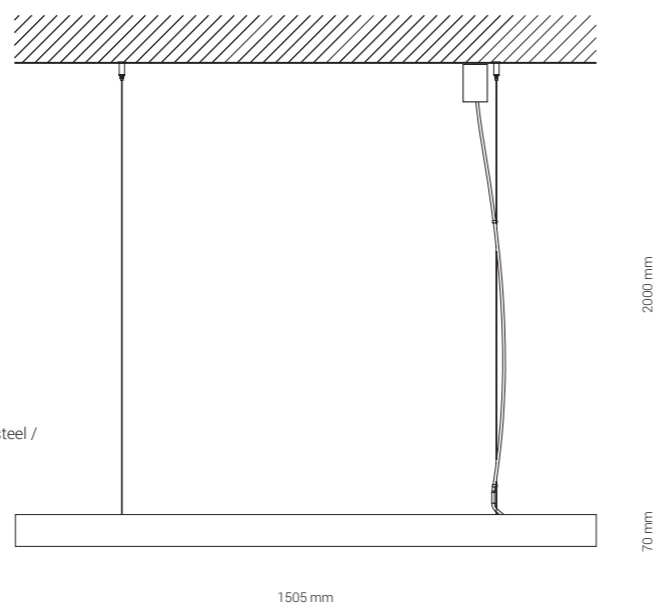
8250 ● BL

CL OFFICE PRO / HALL PRO POWER SUPPLY KIT

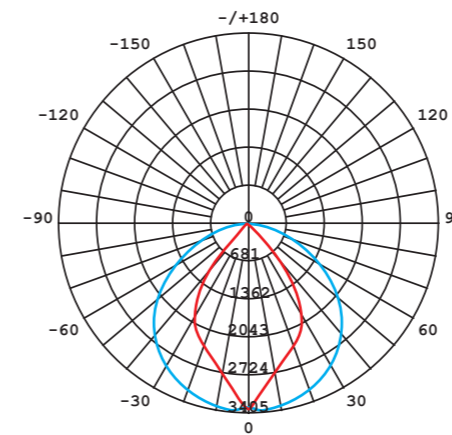
przewód, stal lakierowana / wire, painted steel / проволока, лакированная сталь

8290 ○ WH

8288 ● BL



LUMINOUS INTENSITY DISTRIBUTION DIAGRAM



Luminous intensity [cd]
C0-C180 — (red line)
C90-C270 — (blue line)

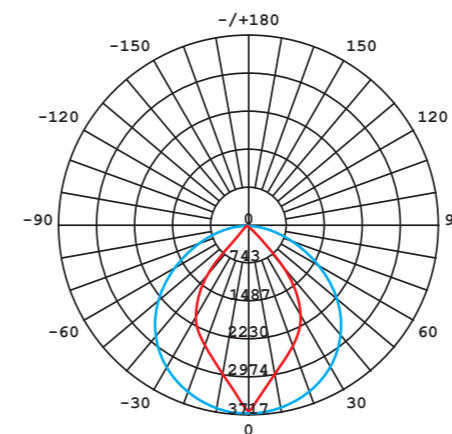
Beam cone diagram
Beam angle 80°

Distance [m]	Illuminance [lx] 4000K	Diameter [m]
1 m	3371	1,67
2 m	843	3,33
3 m	375	5,00
4 m	211	6,67
5 m	135	8,33
6 m	94	10,00
7 m	69	11,66

8260, 40W, 4000K, beam angle 80°



LUMINOUS INTENSITY DISTRIBUTION DIAGRAM



Luminous intensity [cd]
C0-C180 — (red line)
C90-C270 — (blue line)

Beam cone diagram
Beam angle 83°

Distance [m]	Illuminance [lx] 4000K	Diameter [m]
1 m	3680	1,77
2 m	920	3,53
3 m	409	5,30
4 m	230	7,07
5 m	147	8,83
6 m	102	10,60
7 m	75	12,36

8261, 40W, 4000K, beam angle 83°



Item No.	POWER	COLOUR TEMP.	LUMEN	BEAM ANGLE	CRI	IP	LED BRAND	DRIVER BRAND	LIFETIME	WARRANTY
8260	40W	4000K	5540	80°	≥80	52	PHILIPS	PHILIPS	50000h	5 YEARS
8261	40W	4000K	5400	83°	≥80	52	PHILIPS	PHILIPS	50000h	5 YEARS

COMMERCIAL LIGHTING (CL)

D		P	
DIA LED 18 W	60	POWER END CAP, LEFT (PE-L)	22
DIA LED 30 W	62	POWER END CAP, RIGHT (PE-R)	22
H		POWER FLEX CONNECTOR	23
HALL PRO LED 150, 40W	84	POWER L CONNECTOR, LEFT (L-L)	22
I		POWER L CONNECTOR, RIGHT (L-R)	22
IOS LED 20 W	68	POWER STRAIGHT CONNECTOR	23
IOS LED 30 W	70	POWER SUPPLY KIT	21
IOS LED 40 W	72	POWER T CONNECTOR, LEFT 1 (T-L1)	23
ITAKA LED 40 W	44	POWER T CONNECTOR, LEFT 2 (T-L2)	23
ITAKA POWER SUPPLY KIT	44	POWER T CONNECTOR, RIGHT 1 (T-R1)	23
ITAKA SUSPENSION KIT	44	POWER T CONNECTOR, RIGHT 2 (T-R2)	23
K		POWER X CONNECTOR	23
KEA LED 20 W	50	R	
KEA LED 30 W	52	RECESSED DEAD END CAP	27
KEA LED 40 W	54	RECESSED FIXING SET	27
KOS LED 8 W	34	RECESSED POWER END CAP, LEFT (PE-L)	26
KOS LED 10 W	36	RECESSED POWER END CAP, RIGHT (PE-R)	26
KOS LED 16 W	38	RECESSED POWER FLEX CONNECTOR	27
KOS LED 24 W	40	RECESSED POWER L CONNECTOR, LEFT (L-L)	26
O		RECESSED POWER L CONNECTOR, RIGHT (L-R)	26
OFFICE PRO LED 120, 31W	78	RECESSED POWER STRAIGHT CONNECTOR	27
OFFICE PRO LED 150, 40W	80	RECESSED POWER T CONNECTOR, LEFT 1 (T-L1)	27
OFFICE PRO / HALL PRO POWER SUPPLY KIT	78	RECESSED POWER T CONNECTOR, LEFT 2 (T-L2)	27
OFFICE PRO / HALL PRO SUSPENSION KIT	78	RECESSED POWER T CONNECTOR, RIGHT 1 (T-R1)	27
		RECESSED POWER T CONNECTOR, RIGHT 2 (T-R2)	27
		RECESSED POWER X CONNECTOR	27
		RECESSED TRACK, 1M	24
		RECESSED TRACK, 2M	24
COMMERCIAL TRACK LIGHTS SYSTEM (CTLS)		S	
A		SUSPENSION KIT	21
ADAPTER FOR CAMELEON SYSTEM	28	T	
D		TRACK, 1M	20
DEAD END CAP	23	TRACK, 2 M	20
M			
MILO LED 15W	6		
MILO LED 25W	8		
N			
NEA LED 20W	14		
NEA LED 30W	16		
NEA LED 40W	18		

INDEX	STRONA PAGE СТРАНИЦА	INDEX	STRONA PAGE СТРАНИЦА	INDEX	STRONA PAGE СТРАНИЦА	INDEX	STRONA PAGE СТРАНИЦА
8227	22	8296	78	8706	22	8745	18
8228	22	8297	78	8707	23	8746	18
8230	26	8298	78	8708	23	8747	18
8231	26	8300	78	8710	23	8748	18
8232	22	8306	27	8711	23	8750	16
8233	22	8314	44	8712	22	8751	16
8234	26	8456	44	8713	22	8752	16
8235	26	8460	44	8714	20	8753	16
8236	23	8676	27	8715	20	8754	14
8237	23	8677	27	8716	20	8755	14
8238	27	8678	27	8717	20	8756	14
8240	27	8680	27	8718	62	8757	14
8241	23	8681	27	8720	62	8758	8
8242	23	8682	27	8721	60	8760	8
8243	23	8683	26	8722	60	8761	8
8244	23	8684	26	8723	72	8762	8
8245	27	8685	27	8724	72	8763	6
8246	27	8686	27	8725	72	8764	6
8247	27	8687	27	8726	72	8765	6
8248	27	8688	27	8727	70	8766	6
8250	78	8690	26	8728	70	8767	54
8260	84	8691	26	8730	70	8768	54
8261	84	8692	24	8731	70	8770	52
8280	44	8693	24	8732	70	8771	52
8281	28	8694	24	8733	70	8772	50
8282	28	8695	24	8734	70	8773	50
8283	21	8696	21	8735	70	8774	40
8284	21	8697	21	8736	68	8775	40
8288	78	8698	23	8737	68	8776	38
8290	78	8700	23	8738	68	8777	38
8291	78	8701	23	8740	68	8778	36
8292	80	8702	23	8741	68	8780	36
8293	80	8703	23	8742	68	8781	34
8294	80	8704	23	8743	68	8782	34
8295	80	8705	22	8744	68		

KODY KOLORÓW / COLOUR CODES / ЦВЕТОВЫЕ КОДЫ

○ WH - WHITE	● BL - BLACK
○ SI - SILVER	◐ WH/BL - WHITE/BLACK

INFORMACJE DLA KLIENTA / CUSTOMER INFORMATION / ИНФОРМАЦИЯ ДЛЯ КЛИЕНТОВ

INFORMACJE OGÓLNE / GENERAL INFORMATION / ГЛАВНАЯ ИНФОРМАЦИЯ

Rzeczywiste parametry produktów mogą się różnić od wartości deklarowanych w katalogu o +/- 10%.

The actual product parameters may differ from the values declared in the catalogue by +/- 10%.

Фактические параметры товаров могут отличаться от заявленных в каталоге значений на +/- 10%.

Zdjęcia prezentowanego asortymentu w niniejszym katalogu mają charakter poglądowy.

Rzeczywisty kolor produktów może nieznacznie odbiegać od prezentowanego na zdjęciach, ze względu na technologię druku.

Pictures of the presented assortment in the catalogue are for illustration only.

The actual color of the products may slightly differ from that shown in the photos, due to the printing technology.

Фотографии представленного ассортимента в этом каталоге в качестве иллюстрации.

Фактический цвет продуктов может незначительно отличаться от представленного на фотографиях из-за технологии печати.

INFORMACJE TECHNICZNE / TECHNICAL INFORMATION / ТЕХНИЧЕСКАЯ ИНФОРМАЦИЯ

Temperatura barwowa (K) - w potocznym rozumieniu, to „kolor” światła białego emitowanego przez źródło, np. źródło LED.

W uproszczeniu możemy podzielić je na światło o:

- barwie ciepłej
- barwie neutralnej
- barwie zimnej

Colour temperature (K) in common understanding is the colour of white light emitted by a source, for example such as an LED source.

In simple terms, we can divide them into:

- Warm white
- White
- Cool white

Цветовая температура (K) в общепринятом понимании - это «цвет» белого света, излучаемого источником, например светодиодом.

Проще говоря, мы можем разделить их на:

- Теплый белый
- Белый
- Холодный белый

2700-3300K

Barwa ciepła
Warm white
Теплый белый

3400-5300K

Barwa neutralna
White
Белый

5400-7000K

Barwa zimna
Cool white
Холодный белый

Strumień świetlny (lm/lumen) - w potocznym rozumieniu, to całkowita moc światła emitowanego z danego źródła światła.

Lumen (lm) – jednostka miary strumienia świetlnego w układzie SI

1 lm = 1 cd·sr

Luminous flux (lm / lumen) - the total power of light emitted from a light source.

Lumen (symbol: lm) - the unit of luminous flux in SI system.

1 lm = 1 cd·sr

Световой поток (лм / люмен) - общая мощность света, излучаемого данным источником света.

Люмен (лм) - единица светового потока в системе SI.

1 lm = 1 cd·sr

Natężenie oświetlenia (lx/luks) – w potocznym rozumieniu, to gęstość strumienia świetlnego padającego na daną powierzchnię.

Luks (lx) – jednostka natężenia oświetlenia w układzie SI.

1 lx = 1 cd·sr / m²

Illuminance is the total luminous flux incident on a surface.

Lumen (symbol: lm) - the unit of luminous flux in SI system.

1 lx = 1 cd·sr / m²

Освещенность (лк / люкс) - плотность светового потока на заданную площадь.

Единица освещенности в системе SI.

1 lx = 1 cd·sr / m²

CRI (od ang. colour rendering index), Ra – wskaźnik oddawania barw charakteryzujący źródło światła, który określa, jak dobrze postrzegane są barwy oświetlonych przedmiotów.

Im wskaźnik ten jest wyższy, tym barwy są lepiej oddawane, a oświetlane przedmioty wyglądają naturalniej.

Wyrażony jest liczbą z przedziału od 0 do 100, gdzie 100 to światło słoneczne.

Minimum wg przepisów w UE dla opraw wewnętrznych to 80.

CRI (Colour rendering index) is an index of the ability of a light source to reveal the colours which determines how well perceived are the colours illuminated in the light.

The higher index, the better colours are rendered and the illuminated objects look more natural.

It is expressed with a number from 0 to 100, where 100 is a sunlight.

The minimum according to EU regulations for indoor luminaires is 80.

CRI (colour rendering index) Индекс цветопередачи, характеризующий источник света, который определяет, насколько хорошо воспринимаются цвета освещенных объектов. Чем выше этот индекс, тем лучше передаются цвета и освещенные объекты выглядят естественнее.

Он выражается числом от 0 до 100, где 100 - солнечный свет.

Минимальное требование ЕС для светильников для внутреннего освещения - 80.

STOPIEŃ OCHRONY IP / DEGREE OF PROTECTION IP / СТЕПЕНЬ ЗАЩИТЫ IP

Stopień ochrony wyrażony dwoma cyframi. Pierwsza oznacza ochronę przed ciałami stałymi. Drugi to ochrona przed cieczami.


Degree of protection expressed by two figures. The first one stands for protection against solid bodies. The second one stand for protection against liquids.


Степень защиты выражается двумя цифрами. Первая цифра относится к защите от твердых веществ, вторая, к защите от жидкостей.


1 cyfra / 1st figure / 1-ая цифра	
IP0...	Brak ochrony / Not protected / Нет защиты
IP1...	Ochrona przed ciałami stałymi większymi niż 50 mm / Protected against solid objects greater than 50 mm / Защита от попадания твердых веществ \varnothing 50 мм
IP2...	Ochrona przed ciałami stałymi większymi niż 12 mm / Protected against solid objects greater than 12 mm / Защита от попадания твердых веществ \varnothing 12 мм
IP3...	Ochrona przed ciałami stałymi większymi niż 2,5 mm / Protected against solid objects greater than 2,5 mm / Защита от попадания твердых веществ \varnothing 2,5 мм
IP4...	Ochrona przed ciałami stałymi większymi niż 1 mm / Protected against solid objects greater than 1 mm / Защита от попадания твердых веществ \varnothing 1 мм
IP5...	Ochrona przed pyłem / Protected against dust infiltration / Защита от попадания пыли
IP6...	Ochrona pyłoszczelna / Totally protected against dust infiltration / Полная защита от попадания пыли


2 cyfra / 2nd figure / 2-ая цифра	
IP...0	Brak ochrony / Not protected / Нет защиты
IP...1	Ochrona przed padającymi kroplami wody / Protected against vertically falling water drops / Защита от попадания капель воды в вертикальном падении
IP...2	Ochrona przed padającymi kroplami wody przy wychyleniu do 15° / Protected against falling water drops up to 15° from the vertical / Защита от попадания капель воды под углом не более 15°
IP...3	Ochrona przed natryskiwanaą wodą / Protected against rain / Защита от дождя
IP...4	Ochrona przed bryzgami wody / Protected against splashing water / Защита от брызг воды
IP...5	Ochrona przed strugami wody / Protected against water jets / Защита от струи воды
IP...6	Ochrona przed falami / Protected against powered water jets / Защита от сильной струи воды
IP...7	Ochrona przed zanurzeniem / Protected against temporary immersion / Защита от временного погружения
IP...8	Ochrona przed głębokim zanurzeniem / Protected against continuous immersion / Защита от продолжительного погружения


IKONY / ICONS / ИЗОБРАЖЕНИЯ


-  Oprawy oznaczone tym symbolem nie wolno okrywać materiałem termoizolacyjnym. Fittings marked with this symbol must not be covered with thermal insulation materials. Светильники, обозначенные этим символом, нельзя покрывать термоизоляционным материалом.


-  Klasa ochronna druga oznacza, że oprawa posiada podwójną izolację ochronną, a przewód ochronny (żyła żółto-zielona) nie może być podłączony do oprawy oświetleniowej. Protection class II means that the fittings are equipped with a double protective insulation, and the green and yellow protective conductor must not be connected to the fitting. Второй защитный класс обозначает светильник с двойной защитной изоляцией, а защитный желто-зеленый провод не должен подключаться к светильнику.


-  Klasa ochronna pierwsza oznacza, że oprawa musi być podłączona za pomocą przewodu ochronnego (żyła żółto-zielona) do przewodu lub zacisku uziemiającego. Protection class I means that the fitting must be connected with the yellow and green protective conductor to the grounding wire or terminal. Первый защитный класс обозначает, что светильник должен быть подключен с помощью защитного желто-зеленого провода к заземленному проводу или зажиму.


-  Klasa ochronna III oznacza, bezpieczeństwo elektryczne gwarantowane przez bardzo niskie zasilanie (poniżej 50 V). Bez uziemienia. Class III electrical safety guaranteed by very low power supply (less than 50 Volt). Earthing excluded. Класс III электрическая безопасность гарантирована подачей электроэнергии низкого напряжения (меньше чем 50 вольт).


-  Oprawy oznaczone tym symbolem wolno instalować wyłącznie na podłożach niepalnych. Fittings marked with these symbols are suitable for installation only on nonflammable surfaces. Светильники, обозначенные этим символом, можно устанавливать только на негорючих поверхностях.


-  Zgodność produktów z ukraińskimi normami. Ukrainian standards compliant. Соответствие продукции украинским стандартам.


-  Zgodność z normami Unii Europejskiej. EU standards compliant. Соответствие стандартам Европейского Союза.

-  Zgodność produktów z normami Euroazjatyckiej Unii Gospodarczej. EAEU standards compliant. Соответствие продукции стандартам Евразийского экономического союза.

-  Do użytku zewnętrznego. Interior use. Для внешнего использования.

-  Do wewnętrznego użytku. Exterior use. Для внутреннего использования.

-  Do stosowania wewnątrz i na zewnątrz. Interior and exterior use. Для внутреннего и внешнего использования.

-  Zużyte oprawy oświetleniowe są surowcami wtórnymi – nie wolno wyrzucać ich do pojemników na odpady domowe, mogą zawierać substancje niebezpieczne dla zdrowia i życia ludzkiego oraz środowiska. Zgodnie z dyrektywą WEEE 2012/19/UE użytkownik zobowiązany jest do oddania opraw do punktu zbierania zużytego sprzętu, co przyczyni się do ochrony środowiska naturalnego. Spent light fittings are recyclable – they must never be disposed of in household garbage bins as they may contain substances potentially hazardous to human health or life, as well as to the natural environment. In accordance with the WEEE Directive 2012/19/EU, users are obliged to deliver spent light fittings to a waste electric equipment collection point, thus supporting environmental protection. Исползованные осветительные приборы являются вторсырьем, их нельзя выбрасывать в контейнеры с хозяйственными отходами, потому что они могут содержать в себе вещества, опасные для здоровья и жизни человека, и вредные для окружающей среды. Согласно директиве WEEE 2012/19/UE, потребитель обязан сдать осветительные приборы в пункт сбора использованного оборудования, что положительно влияет на окружающую среду.

NOTATKI / NOTES / ЗАМЕТКИ

A series of horizontal dotted lines for writing notes on page 92.

NOTATKI / NOTES / ЗАМЕТКИ


A series of horizontal dotted lines for writing notes on page 93.





A series of horizontal dotted lines for writing notes.

A series of horizontal dotted lines for writing notes.

Nowodvorski

L I G H T I N G

 Nowodvorski sp.j.
ul. Bojemskiego 11
42-202 Częstochowa
POLAND

 +48 34 344 91 10 / 11
 +48 34 344 91 12
 nowodvorski@nowodvorski.com
 www.nowodvorski.com



Design & production

GRAFFITI
CREATIVE PEOPLE

www.graffiti.com.pl

Nowodvorski

L I G H T I N G

Nowodvorski sp.j.
ul. Bojemskiego 11
42-202 Częstochowa
POLAND



+48 34 344 91 10/11



nowodvorski@nowodvorski.com



www.nowodvorski.com